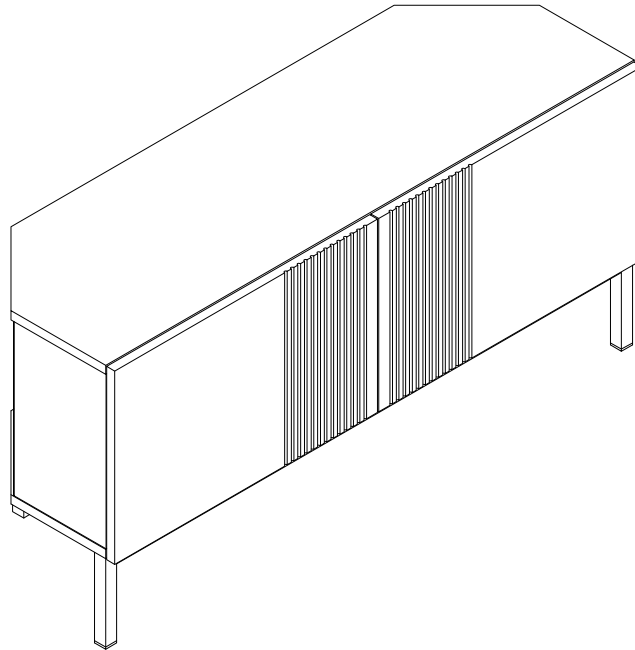


# Iona Corner TV Unit

## Assembly Instructions



### NOTE

We highly recommend watching the quick help & set up guide video first before assembling. Simply place a smart phone camera over the QR code for a quick link to the video.







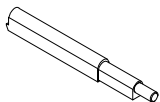
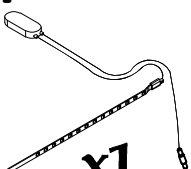
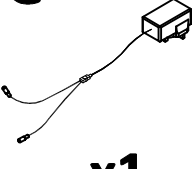
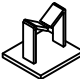
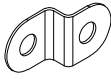
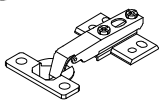

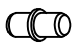
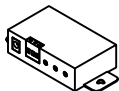

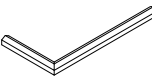
**To watch assembly video :**  
**[www.frankolsenfurniture.co.uk](http://www.frankolsenfurniture.co.uk)**

Download the **Frank Olsen Smart app** from :  
Google Play store or Apple store

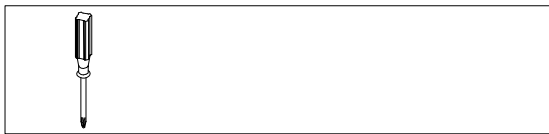


# HARDWARE

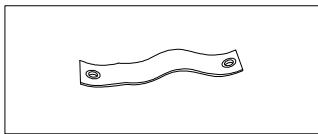
0 5 10 15 20 25 30 35 40 45 50 55 60 65 70 75 80 85 90 95 100 105 110 mm

<b>A</b> M3*12  <b>x2</b>	<b>B</b> M3.5*14  <b>x26</b>	<b>C</b> M6*15  <b>x8</b>	<b>D</b> M4*25  <b>x4</b>	<b>E</b>  <b>x2</b>	<b>F</b> 1m  <b>x1</b>	<b>G</b>  <b>x1</b>
<b>H</b>  <b>x1</b>	<b>I</b>  <b>x2</b>	<b>J</b>  <b>x4</b>	<b>K</b>  <b>x20</b>	<b>L</b>  <b>x8</b>	<b>N</b>  <b>x1</b>	<b>M</b> M6*35  <b>x6</b>
<b>O</b>  <b>x1</b>						

## Tools Required-Not Supplied

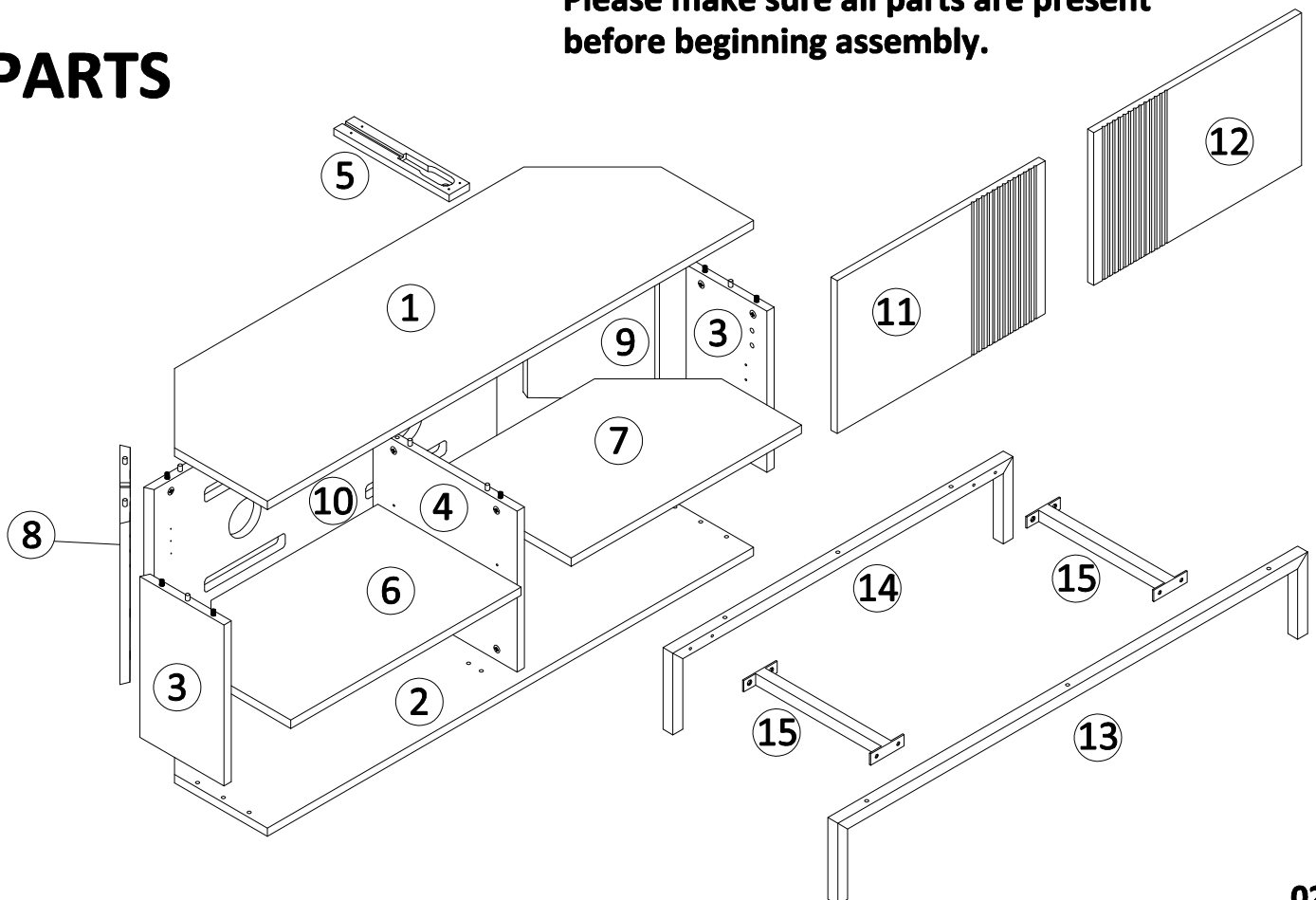


## Pre-fitted



Please make sure all parts are present before beginning assembly.

## PARTS

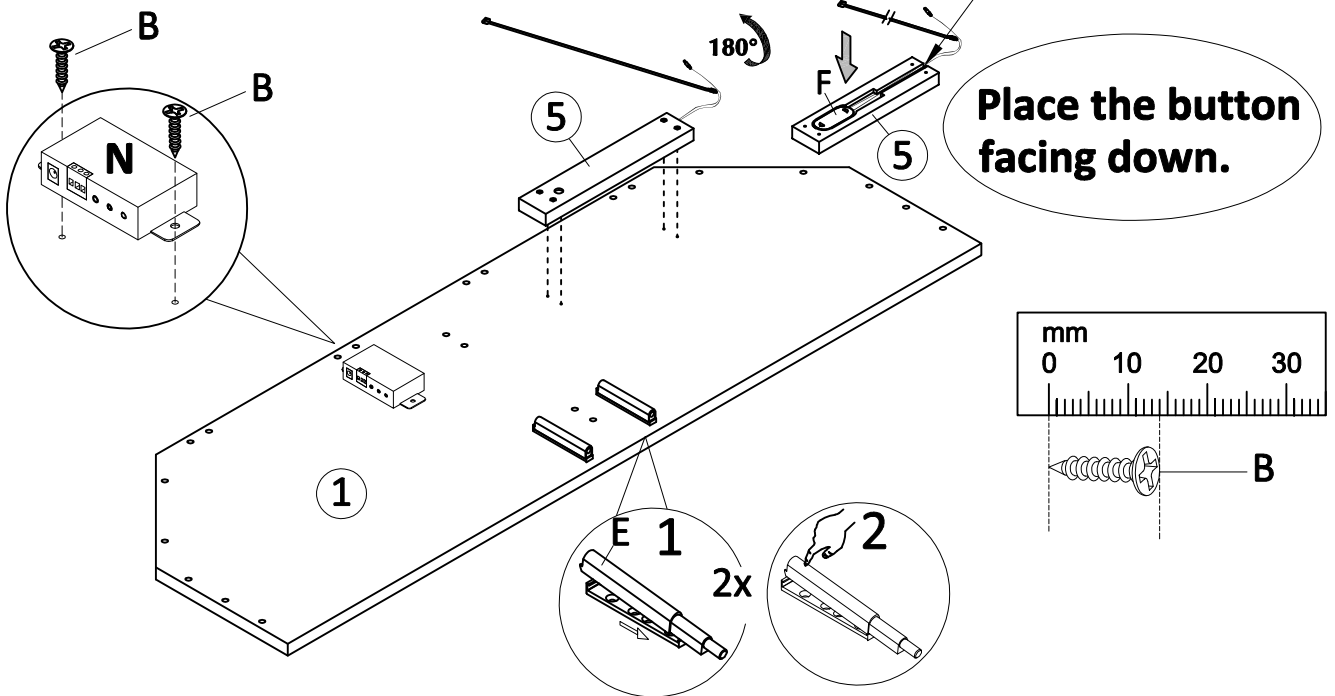


# 1

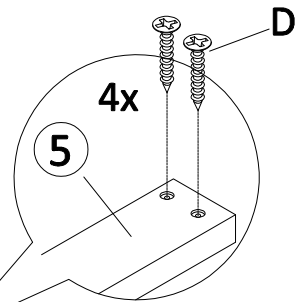
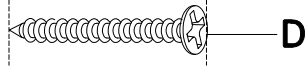
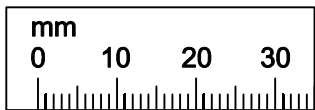
## IMPORTANT

To avoid any damage to the top or panels of the unit, please assemble the unit on a soft surface such as a carpet or a place a blanket on harder floors.

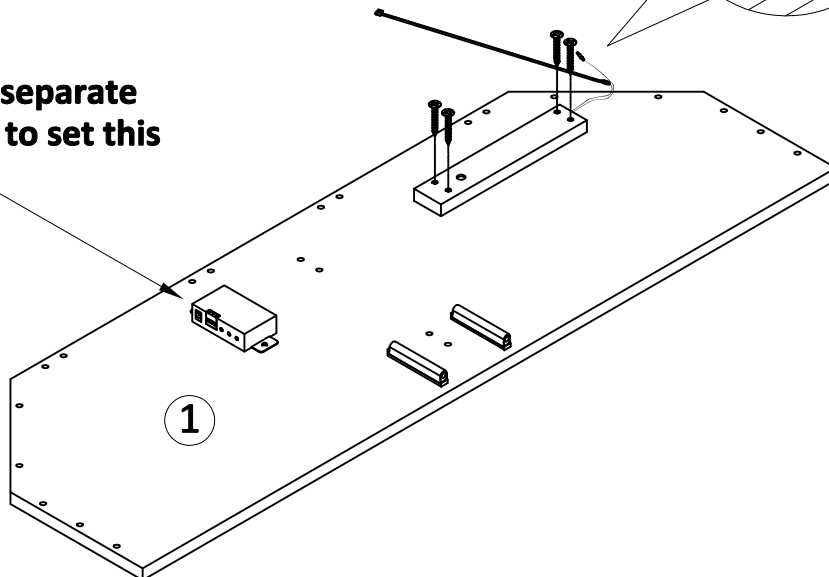
Please ensure wires are flush in the channel.



# 2

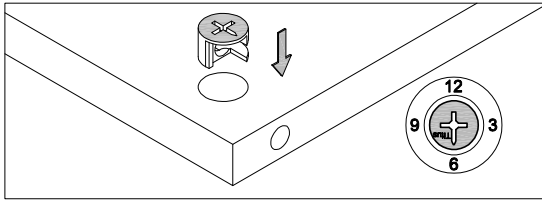


**NOTE:** Please see the separate instructions provided to set this device up correctly.

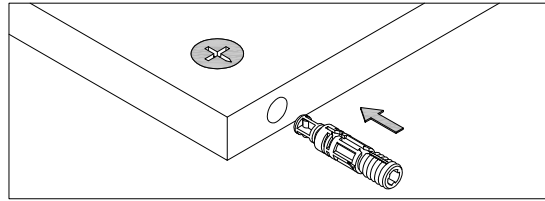


# 3

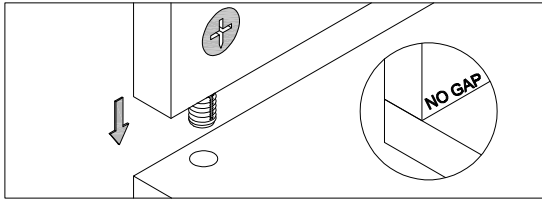
## Guide on using quick cam assembly



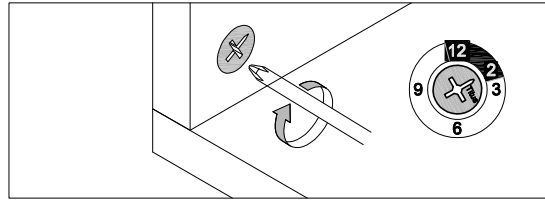
1. Press cam into pre-drilled hole with the arrow pointing toward the side hole. ( see 6 O'clock. )



2. Push the bolt all the way into the side hole.

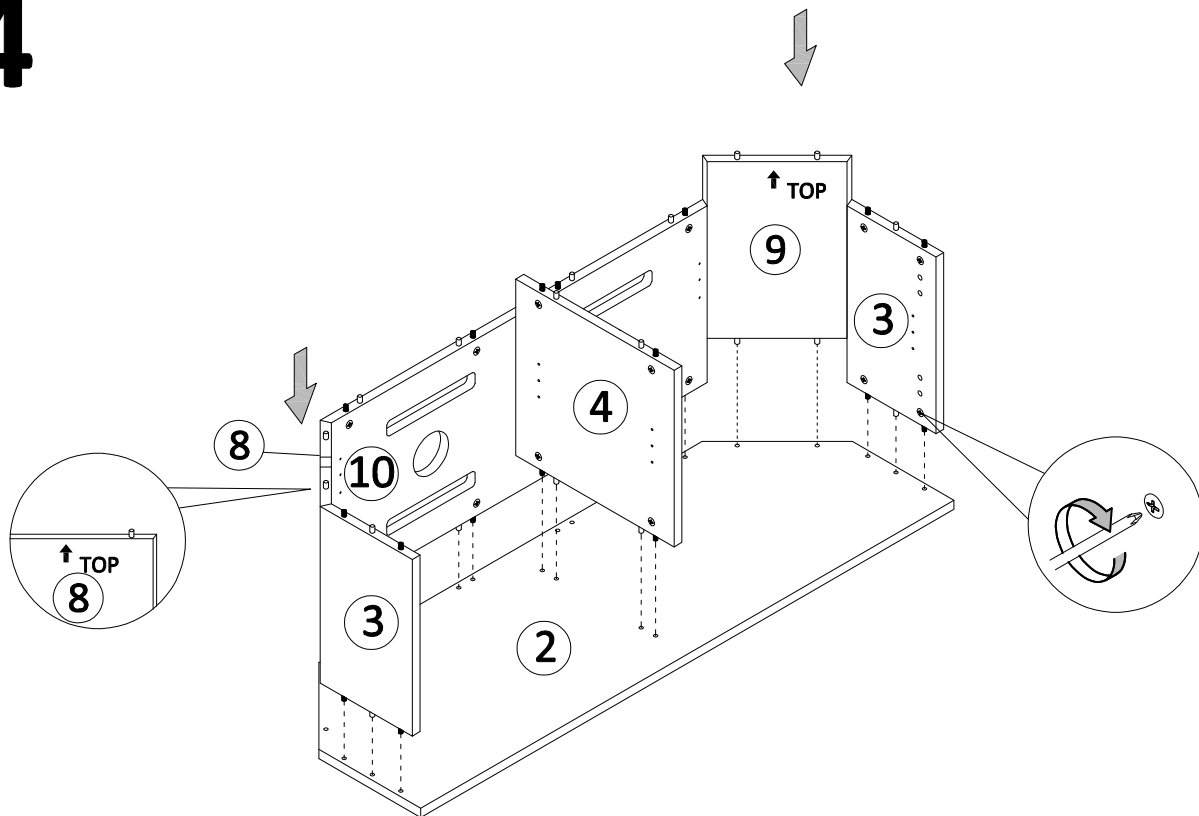


3. With all cam & bolts installed align and push the panels together - NO GAPS ( MAKE SURE PANELS HAVE NO GAPS )



4. Turn cam clockwise to tighten. Secure connection by turning arrow on the cam to 2 O'clock to smoothly lock panels together.

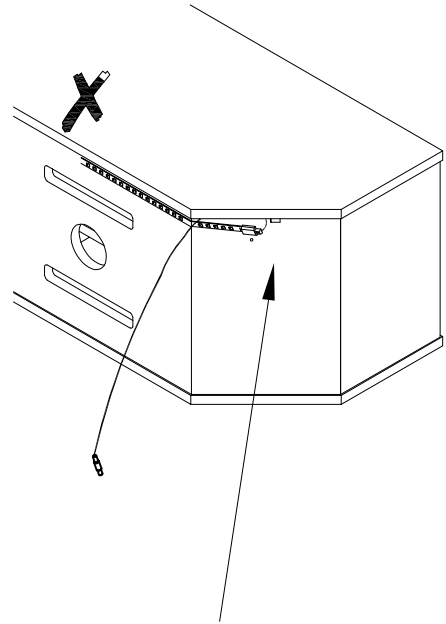
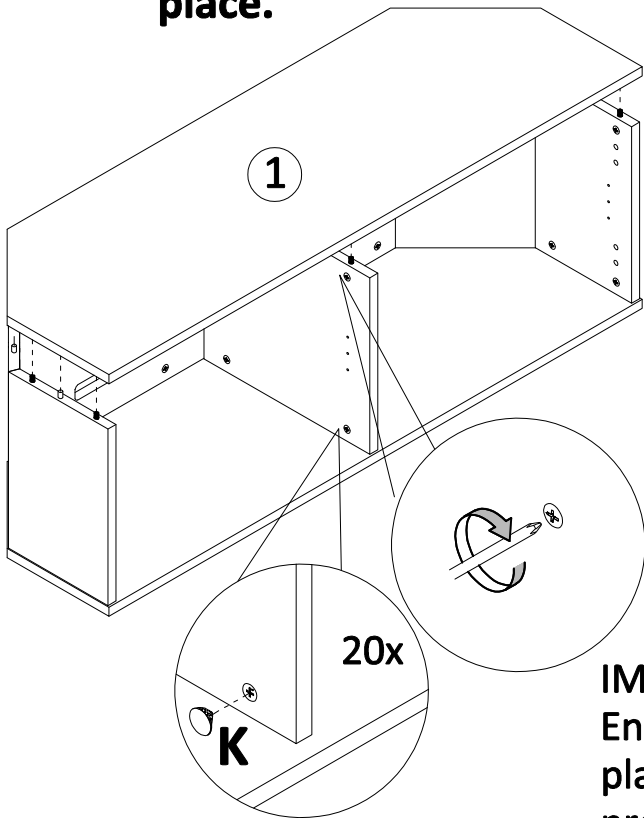
# 4



\* Turn cam clockwise to tighten

# 5

Locate dowel first as a guide,  
and press panel 1 down into  
place.



**IMPORTANT**

Ensure that cables are not trapped when  
placing the top panel on (check they are  
properly hidden in the cable channel)

**\* Turn cam clockwise to tighten**

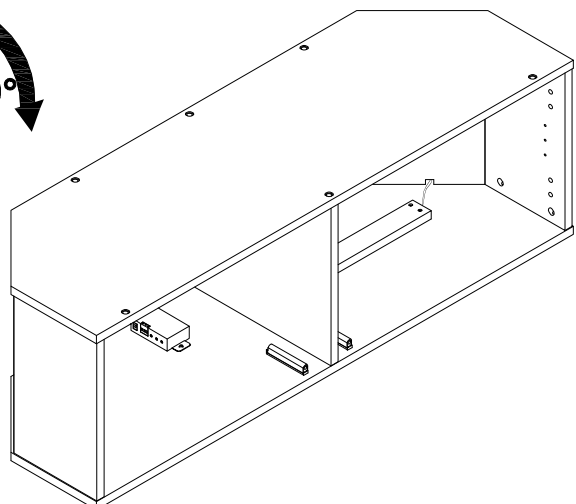
# 6



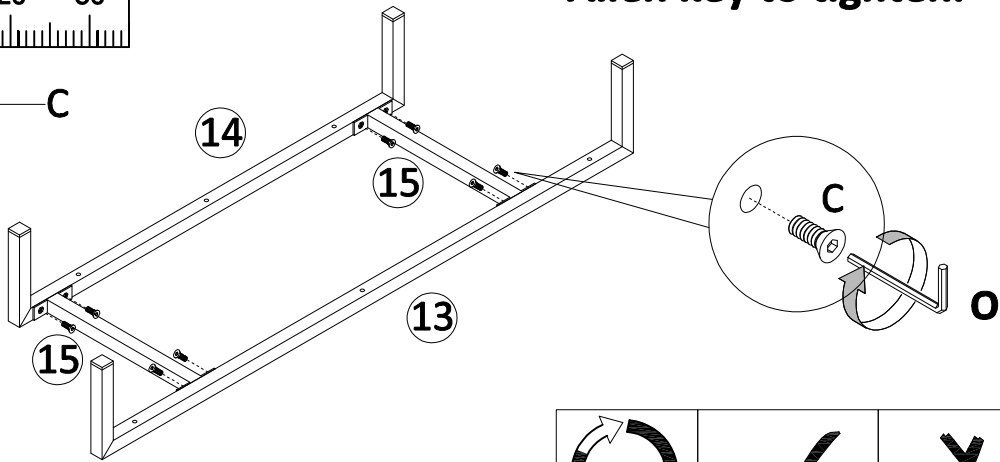
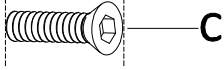
To attach the legs, turn the unit  
over so the base of the unit is  
facing upwards.

**IMPORTANT**

We recommend that two people  
do this.

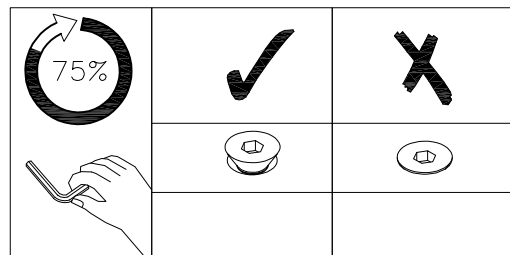


# 7



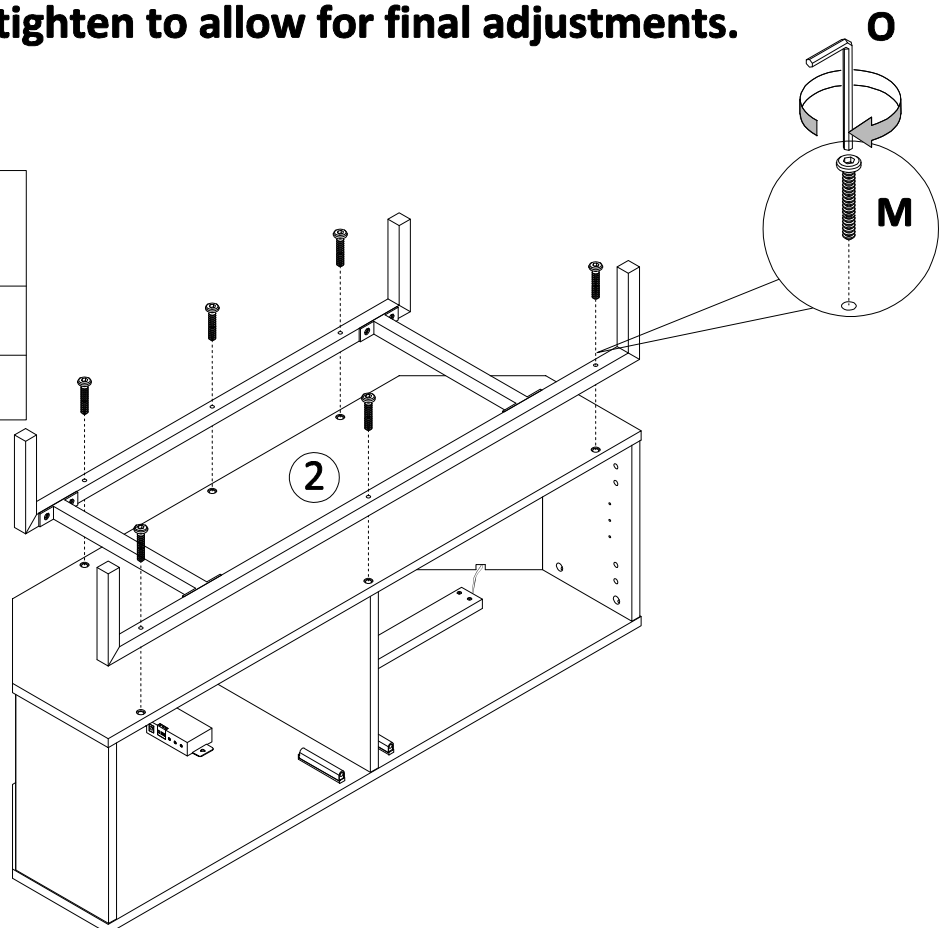
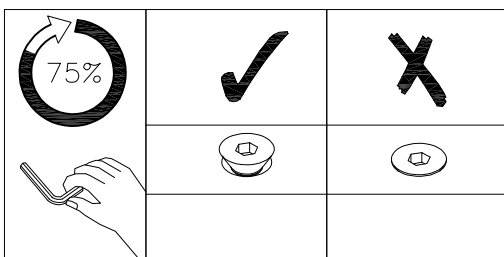
You can use both ends of the Allen key to tighten.

Do not fully tighten to allow for final adjustments.



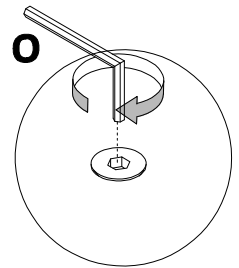
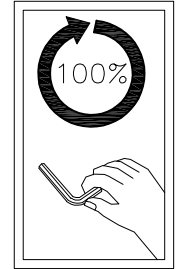
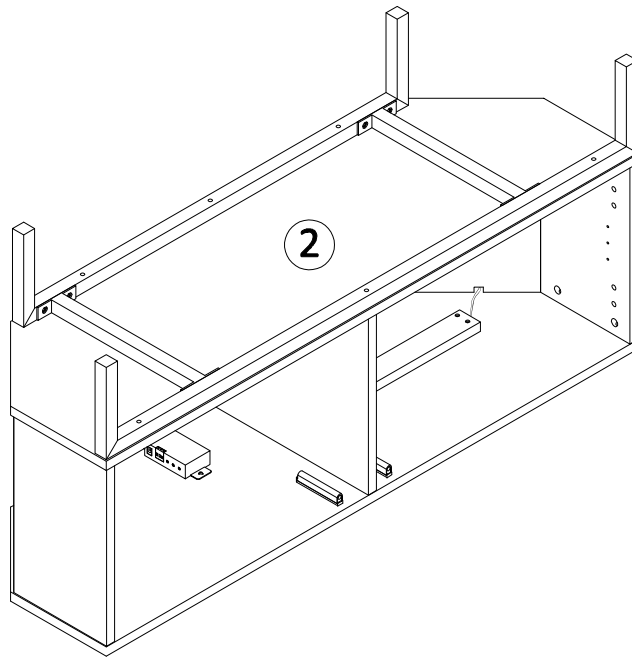
# 8

Do not fully tighten to allow for final adjustments.

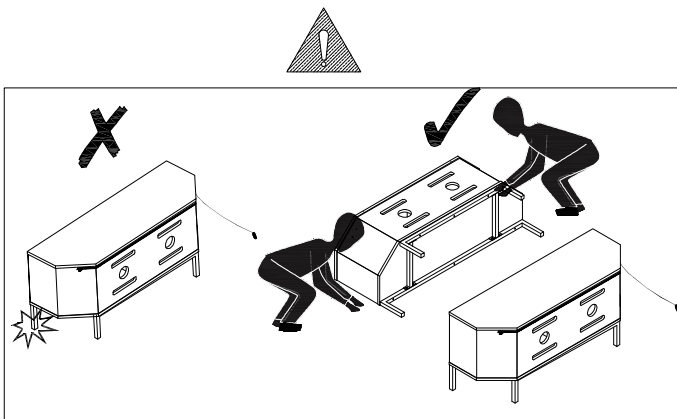
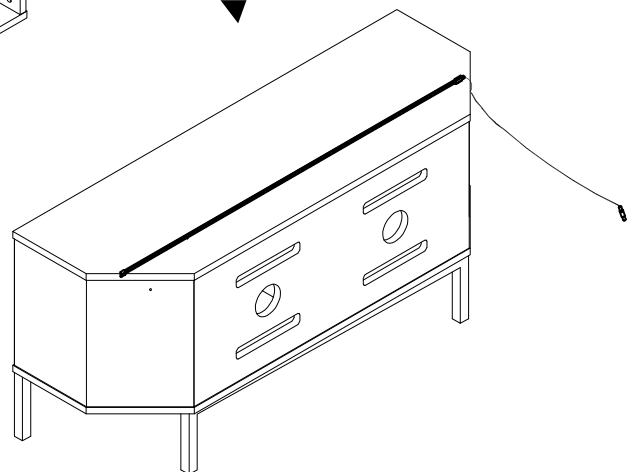
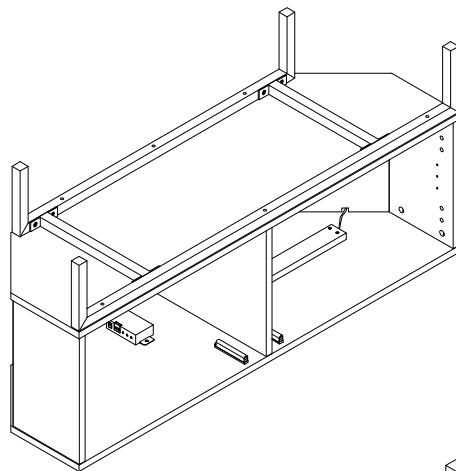


# 9

Ensure the bar of the legs is lined up with the edges of panel 2 before completely tightening.



# 10

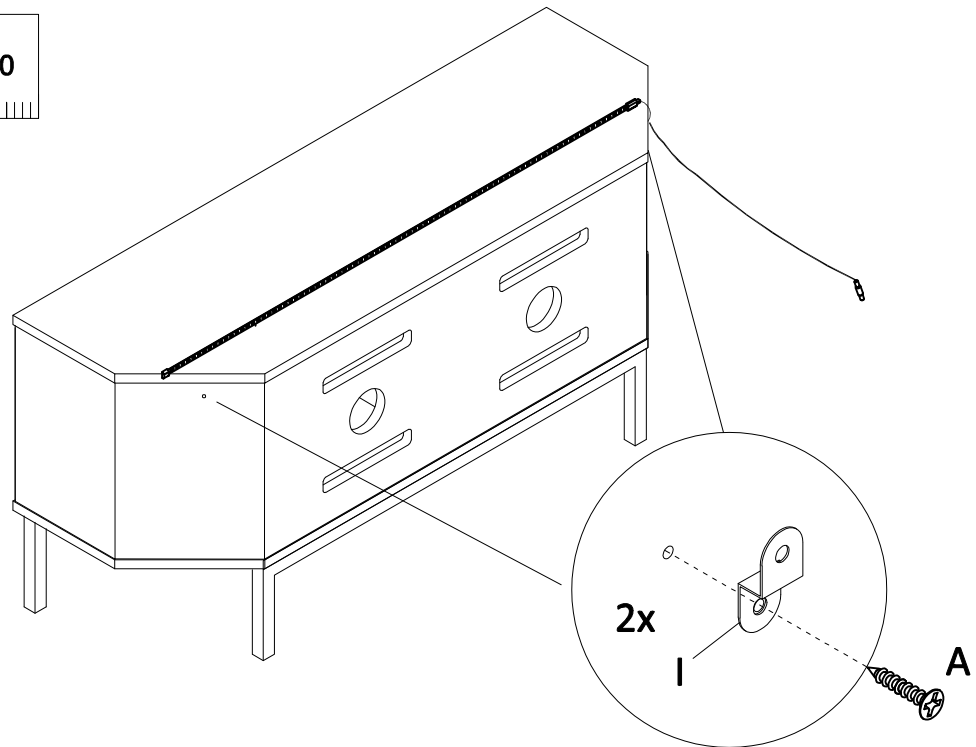
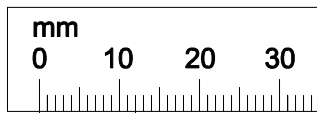


When the legs have been attached, turn the unit over to the upright position.

**IMPORTANT**  
We recommend that two people do this.

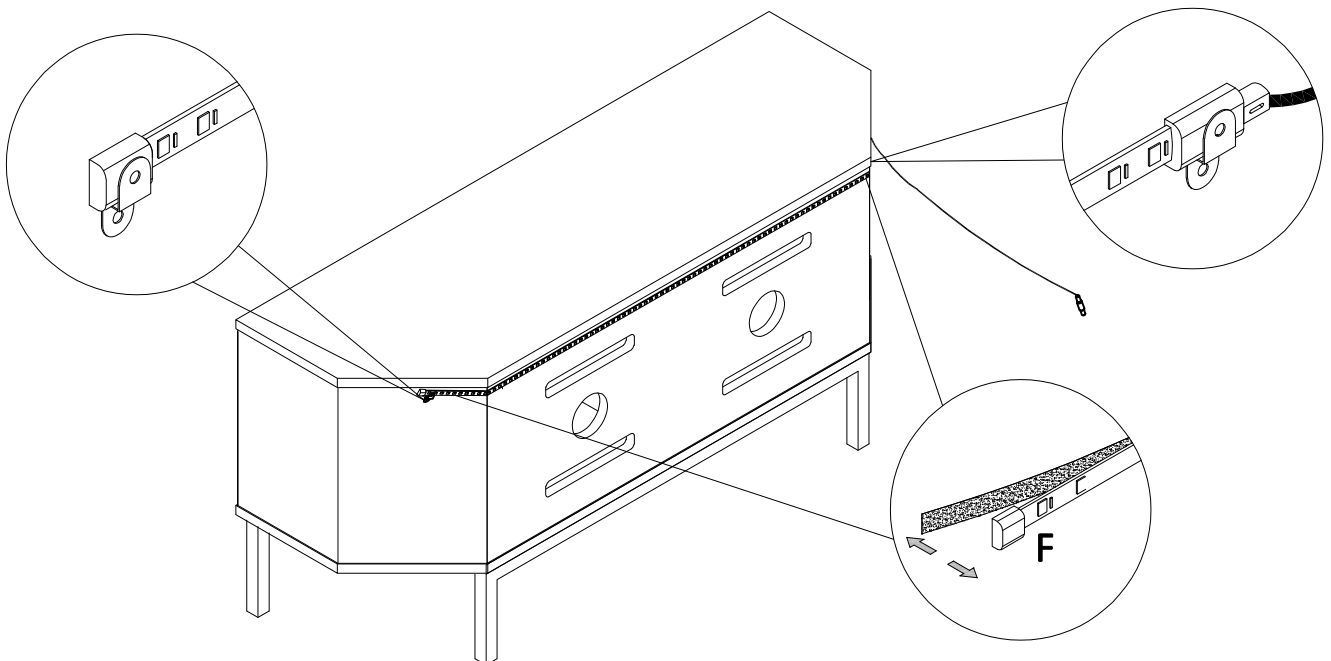
# 11

**PLEASE FOLLOW THE STEPS TO ENSURE NO DAMAGE.  
Screw in clip 'I'- ensure surface is DUST FREE**



# 12

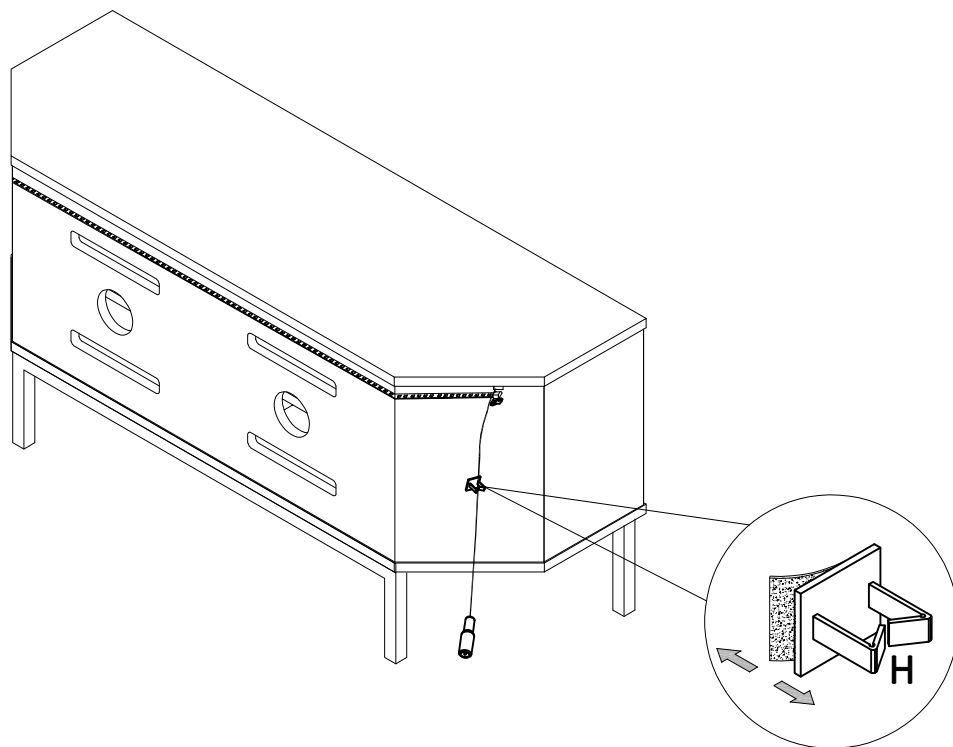
**CAUTION, When peeling off LED adhesive strip, take extra care to peel ONLY the protective strip, not the adhesive strip.**



- 1. Do not remove LED strip backing yet, unravel LED strip from reel.**
- 2. Place LED strip in position in the clip and lay the LED strip in place.**
- 3. Start from the clip end, remove the LED backing strip with care and place in position on the edge of the back panel, pressing firmly.**
- 4. Gently pull the wires so that the end of the LED strip is straight and sticking in position.**

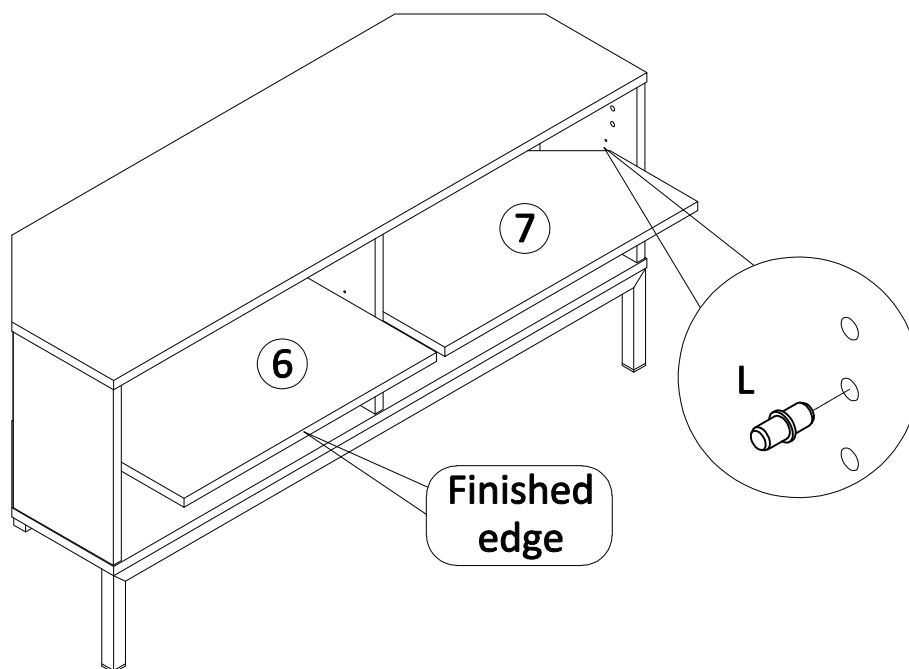
# 13

**NOTE : See separate instructions provided on setting up the app / LED strip and Alexa voice control.**

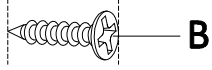


# 14

**Please choose shelf height position before attaching the door.**

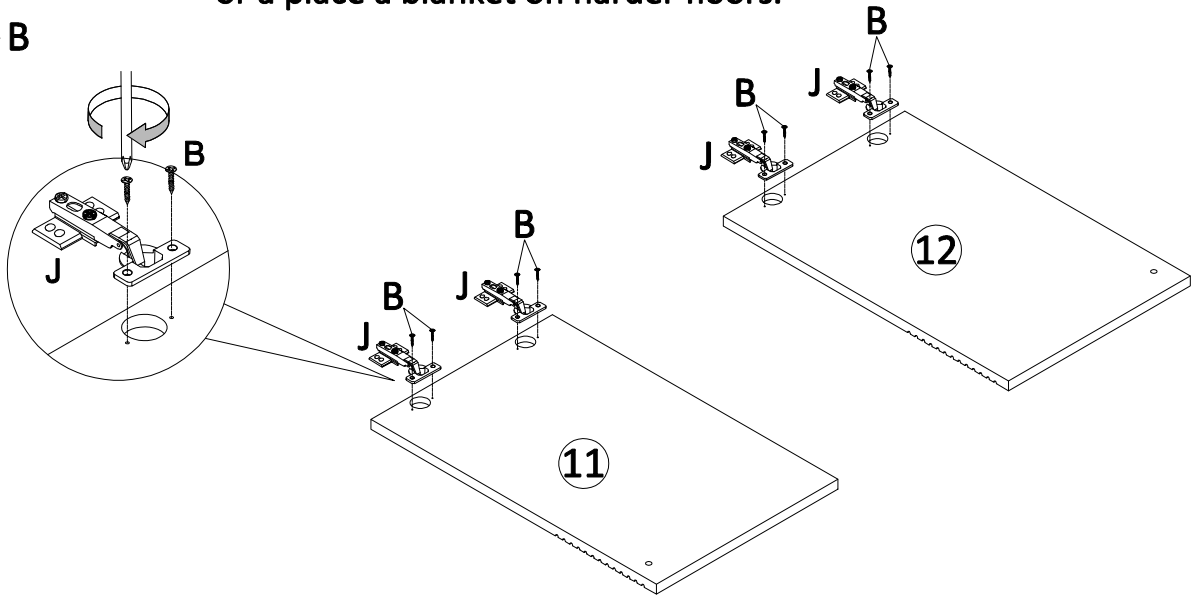


# 15



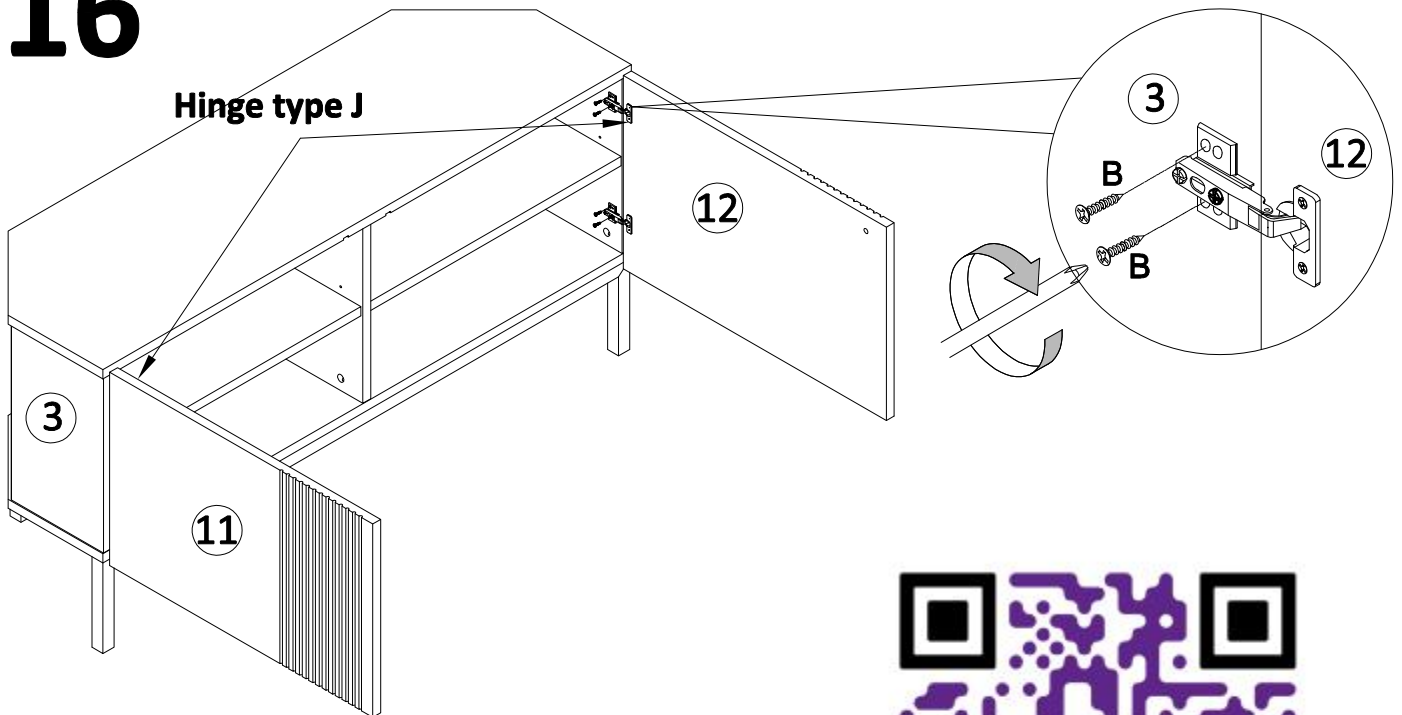
## IMPORTANT

To avoid any damage to the doors whilst fitting the hinges, please fit the hinges with the doors on soft surface such as a carpet or a place a blanket on harder floors.



# 16

Hinge type J



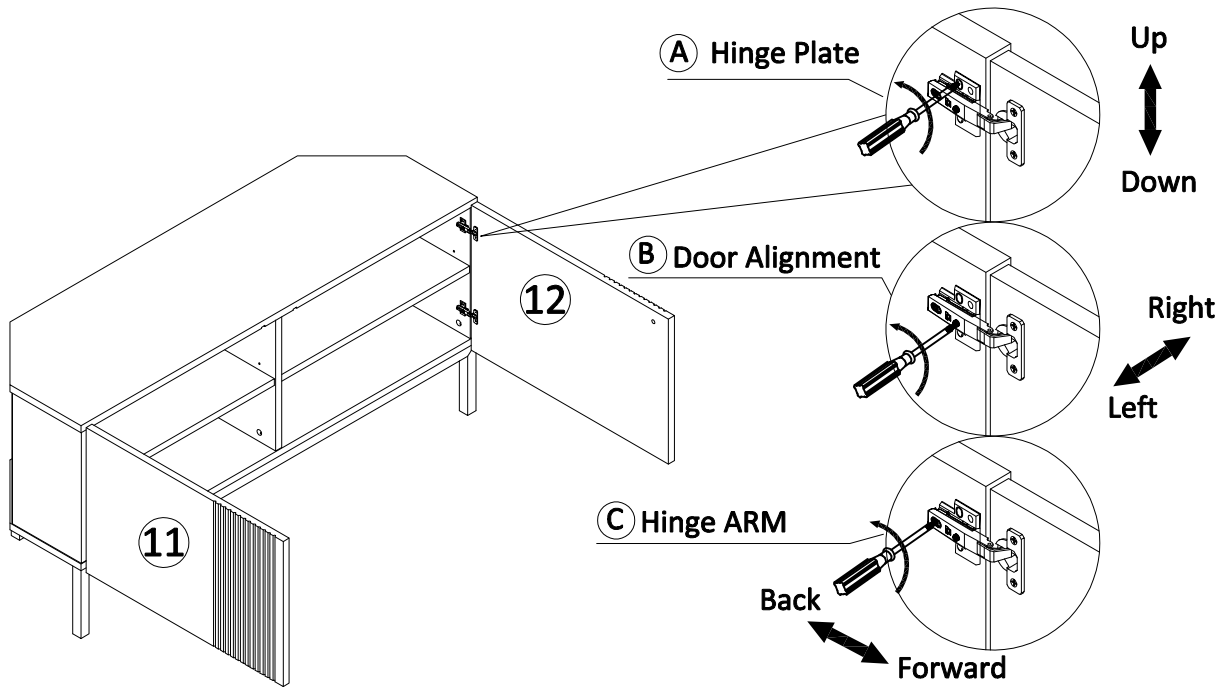
When attaching doors, please do so with care to ensure no damage to paintwork.



Please use QR code to view a short video on how to attach the hinges.

# 17

To get the doors aligned perfectly, the hinges can be adjusted in three places.

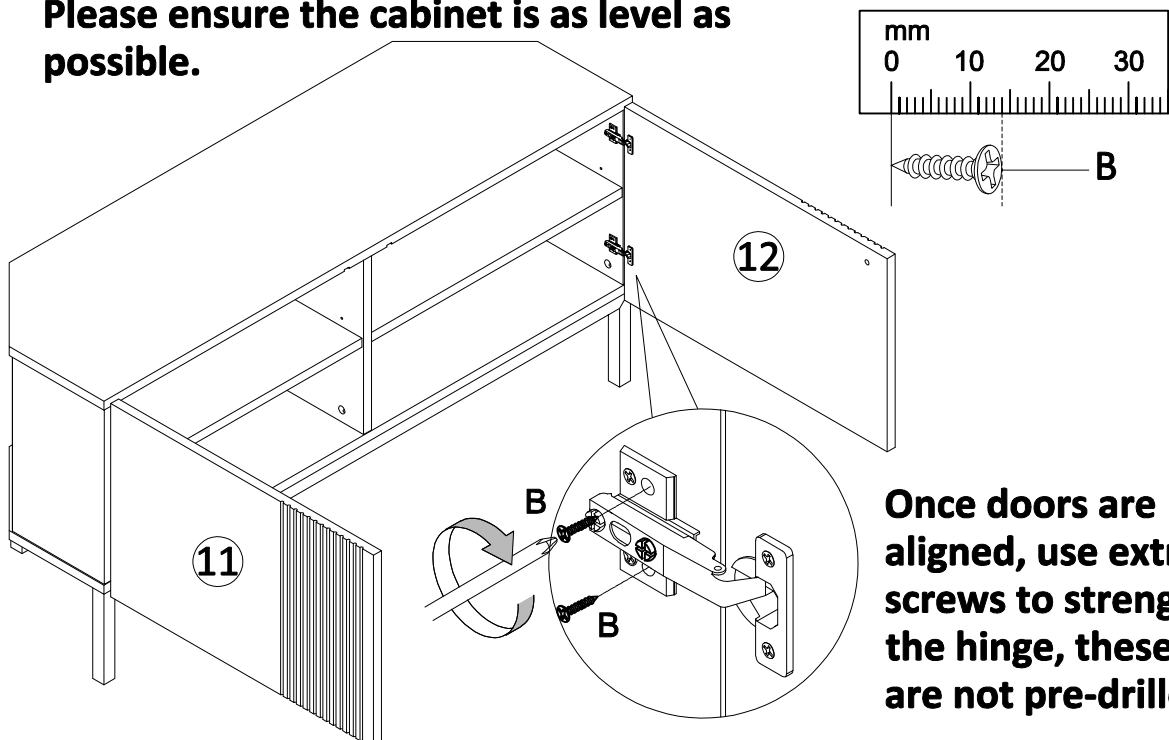


Please use QR code to view a short video on how to align the doors.

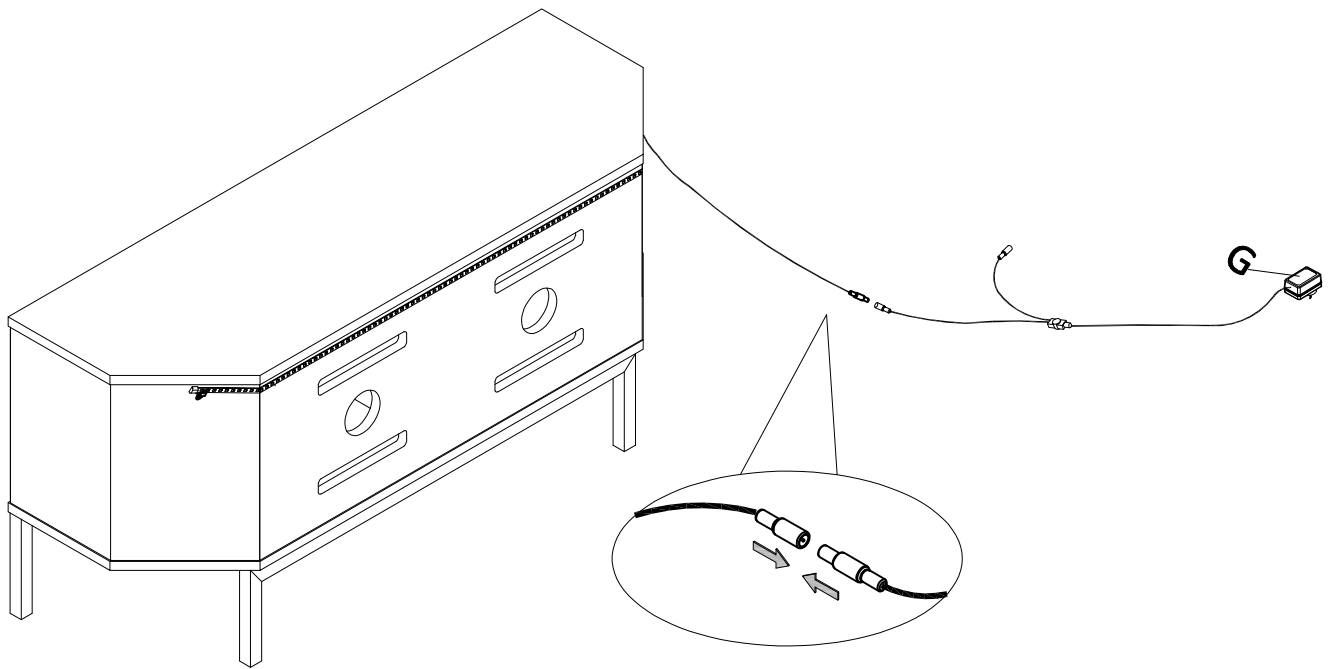


# 18

Please note, you may have difficulty aligning the doors if the floor is uneven. Please ensure the cabinet is as level as possible.

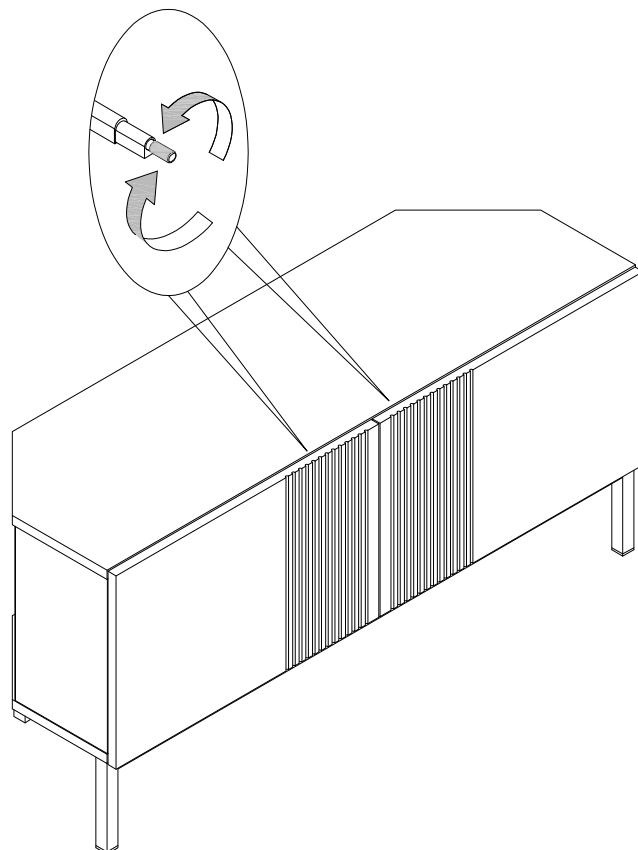


# 19



# 20

**NOTE: If the push to open mechanism is not working properly, Simply turn the end of the barrel to adjust.**



# 21

## Wall Fixing Installation Instructions: Textile strap

### Step 1

Place your product in the final position. Mark the wall with a pencil where corresponding hole will be drilled into wall. Check for hidden gas and water pipes and / or electrical wiring. Drill holes and fit an appropriate wall plug (not supplied) for your wall type. Screw the strap to the wall. Choose an appropriate screw to secure. If in any doubt please consult a professional.

### Note 1

The wall plug and the screw / washer are not supplied as the wall types may vary

### Note 2

The required gap between product and the wall is at least 25 mm.

### Note 3

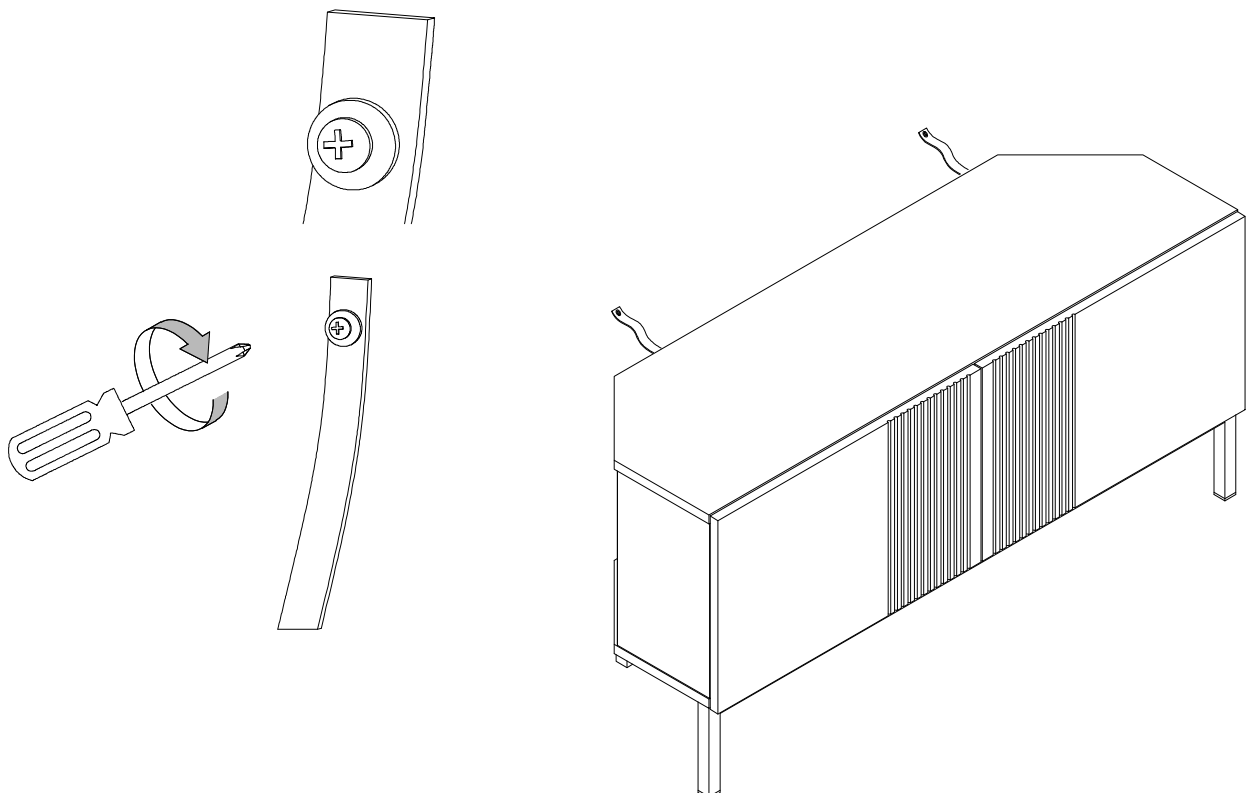
The end of the textile straps which are fixed to the wall should be about 25mm lower than the end fixed to the furniture.

### CAUTION:

Where wall fixings are supplied it is essential that these are used to provide additional stability in order to avoid the furniture toppling over with risk of injury.

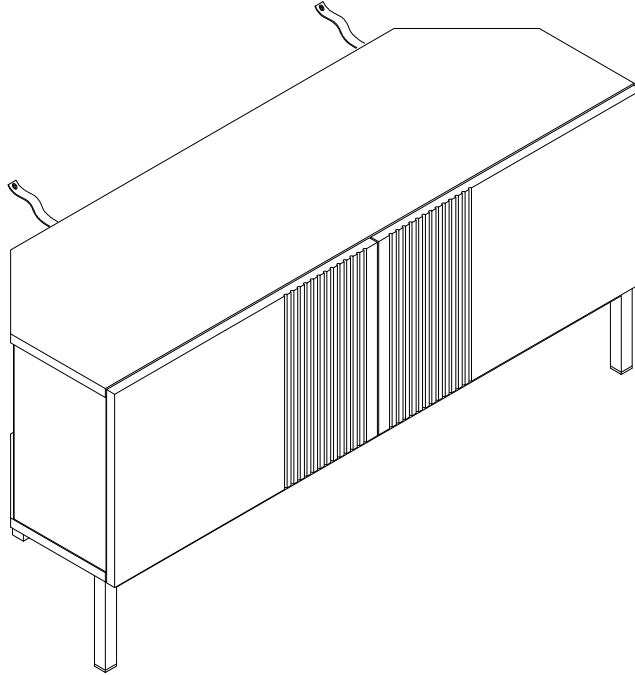
### CAUTION:

Always ensure the area to be drilled is free from hidden electrical wires, water and gas pipes.



# 22

**Finish** - Remove all visible stickers when assembly is fully completed.



## CLEANING ADVICE:

To avoid scratching the surfaces, clean only with a non abrasive cleaner.

## NOTES ON SETTING UP WIFI

The LEDS lights only work on 2.4 GHz, they will not work on 5.0 GHz

Most homes are 2.4 GHz or operate a dual function. If for any reason the LED lights are not connecting to the app or Alexa, please check the router setting. Most routers will operate both 2.4 and 5.00 GHz so there should be no problem.

In commercial premises, there maybe software to block access connection to unknown apps or services. If this happens, please check with IT Department.

The system will work from a mobile WiFi hotspot from one phone to another. We recommend this approach if there are access issues.

Ensure Bluetooth setting is on.

# QUICK HELP GUIDE & TIP VIDEOS

## LED LIGHT SET UP GUIDES



**Pairing mode**



**Re-setting pairing mode**



**AP mode**



**Re-setting AP mode**



**Help in setting up Intelligent Eye**



**Setting up Frank Olsen app &  
SMART speaker control**

**Simply hold the camera on a smartphone over the QR code above to go to a quick link to the help video**