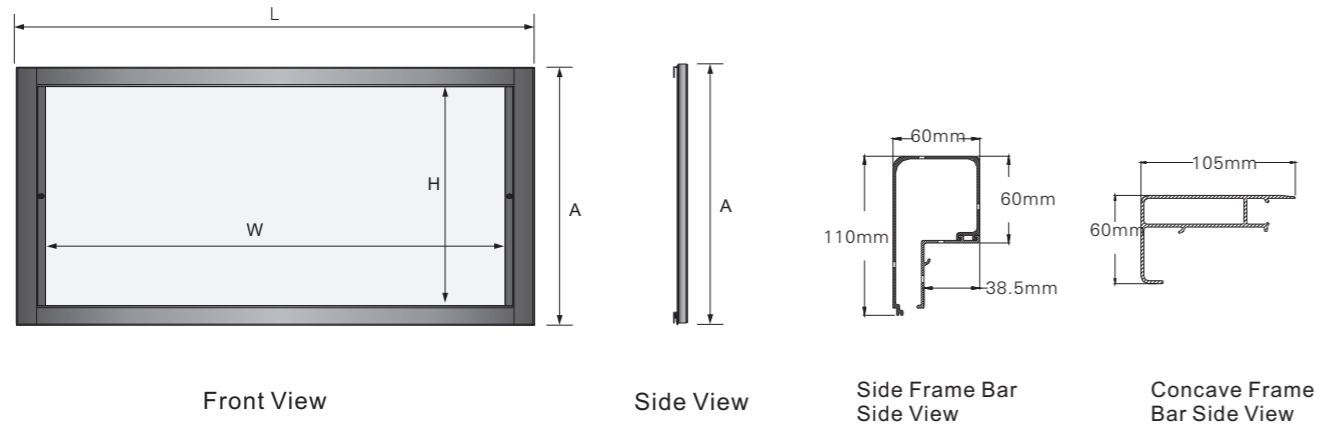


## Product Specification

Format	Model	Specification (inch)	Viewing Area		Screen Size	
			W (mm)	H (mm)	L (mm)	A (mm)
2.35:1	LF-HMF-92	92"	2150	915	2450	1125
	LF-HMF-100	100"	2337	995	2637	1205
	LF-HMF-106	106"	2477	1054	2777	1264
	LF-HMF-110	110"	2571	1094	2871	1304
	LF-HMF-120	120"	2805	1193	3105	1403
	LF-HMF-125	125"	2921	1243	3221	1453
	LF-HMF-130	130"	3038	1293	3338	1503
	LF-HMF-132	132"	3085	1313	3385	1523

**Note:**

1. Due to product updates, sizes and specifications are subject to change at any time. The tolerance for L is approximately  $\pm 5\text{mm}$  (3/16 inches).
2. Actual dimension is measured by: total screen length x end cap depth x end cap height.



### Questions & Answers

Fabrics of Grandview screen can be used for years, most problems are caused by simple incidents. If problem occurs, please find the list below for some common solutions. If problems keep on, please contact authorized agent of Grandview or call service number at: (8620)34806166

**Wrinkle on the frame**

- When using normally, the wrinkle can be removed naturally. The removing period will change with 1-15days according to the temperature. Watering can remove the wrinkle faster.

### Three years warranty

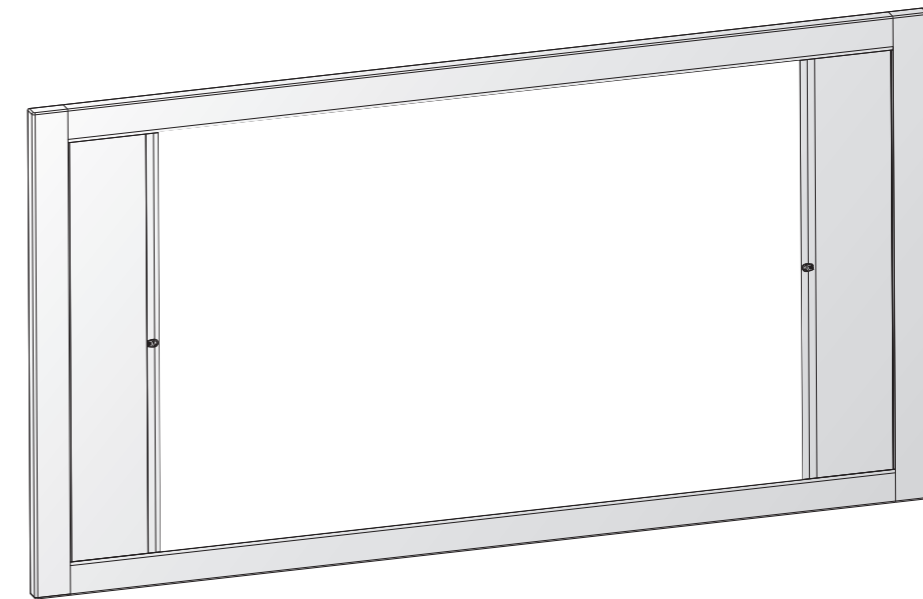
Grandview provides three years warranty. Contents of warranty include replacement of spare parts while problems occur with correct operation. Not include inappropriately operating the screen or uninstal the screen by yourself. You should reserve in advance for the repair with Grandview or appointed service center.

Grandview Technology Co., Ltd.  
 Add: No.1 Building of No.43 South International Trade Avenue, HualongTown,  
 Panyu District, Guangzhou China.  
 Tel: +8620-8489-9499 Fax: +8620-8480-5299  
 Web: www.grandviewscreen.com



# Grandview®

## Instruction Manual for Large-Flat Series Adjustable Fixed-Frame Screen



Model: LF-HMF-xxx

Thank you for purchasing a Grandview projection screen.  
 Before use, please read instructions carefully. After installation, store instructions for future reference.

## Caution

**Warnings:** please prevent screen from wet place to avoid electric or fire danger

1. Please read carefully with this instructions before installation to avoid the damage caused by inappropriate installation or operation
2. Please keep the screen away from hot sources, such as radiator, heating machine, fireplace, loudspeaker or other relative device.
3. Please handle the repair work to the professional agent
4. Please prevent screen from water as well as putting stuff with water (such as vase) on the screen.
5. Please make sure which one is front or back of product.
6. Please put down the screen carefully because of the aluminum alloy frame.
7. Please cover the screen by cloth if it is not being used for a long time.
8. Please do not poke screen fabric with hand or edge tools to avoid marking on the screen surface.

Please follow the installation as below:

- a. Wood wall installation: fix the top and low bracket on the wall using the  $\phi 5 \times 60$ mm wood screw (3 screws on each bracket) (figure 11).
- b. Concrete wall installation: drill six proper holes on the concrete wall with electric drill, then fix the top and low bracket on the wall using the  $\phi 5 \times 40$ mm tapping screw and then fasten with the anchor (3 screws on each bracket) (figure 12).

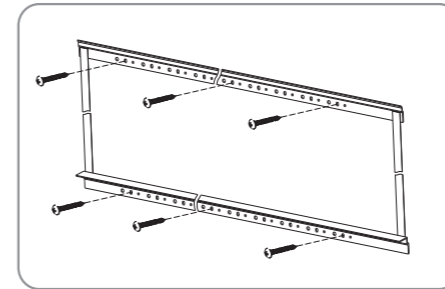


figure 11

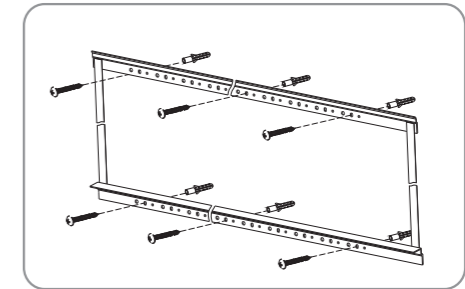


figure 12

3. Buckle the hanger of concave frame bar on top and low bracket, figure 13-14.

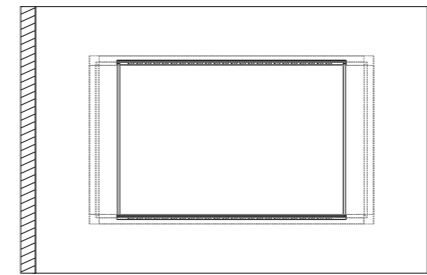


figure 13



figure 14

4. After hanging on the bracket, please adjust the screen horizontally and ensure the hole of hanging piece and the holes of low bracket is at the same level, and then fasten the security fixing screws into the holes (figure 15-16)

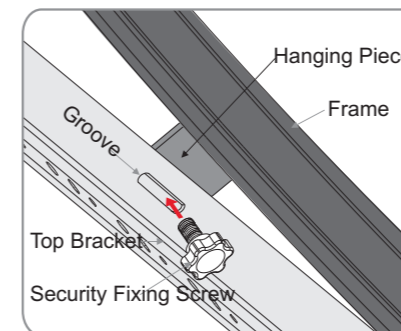


figure 15

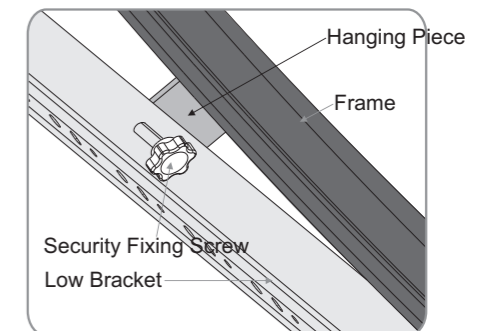


figure 16



Please follow the instruction to operate.  
Please contact the professional people for repairing.

## Cleaning

Clean the casing of screen with a soft cloth and lukewarm water.  
Do not use any detergent or cleaning products.

## Screen Installation

1. Each screen has a set of bracket. Each bracket has a number of corresponding holes and 3 holes per group, Please refer to figure 8.

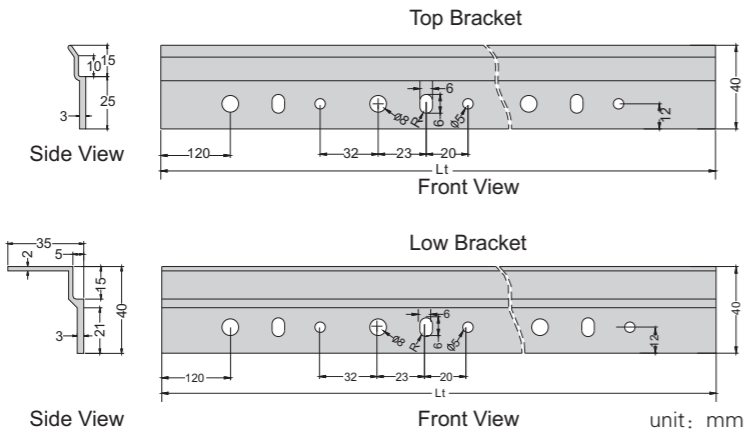


figure 8

Table 2: the length of bracket (Lt)

Format	Specification	92"	100"	106"	110"	120"	125"	130"	132"
2.35:1	Lt (mm)	1900	2050	2200	2350	2500	2500	2650	2650

Note: due to product updates, sizes and specifications are subject to change at any time.

2. Top bracket and low bracket are connected by a belt when delivery. The top bracket shall keep balance with the low bracket vertically because of the universal gravitation. Please ensure the distance between the top bracket and the low bracket is the same as the data of table shows us (if not, please measure), and then fix the frames on the wall ( please refer the data to make sure the distance between top and low bracket) (figure 9-10)

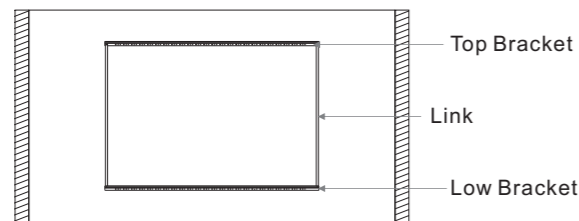


figure 9

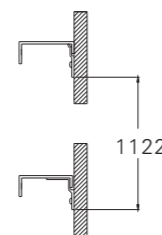


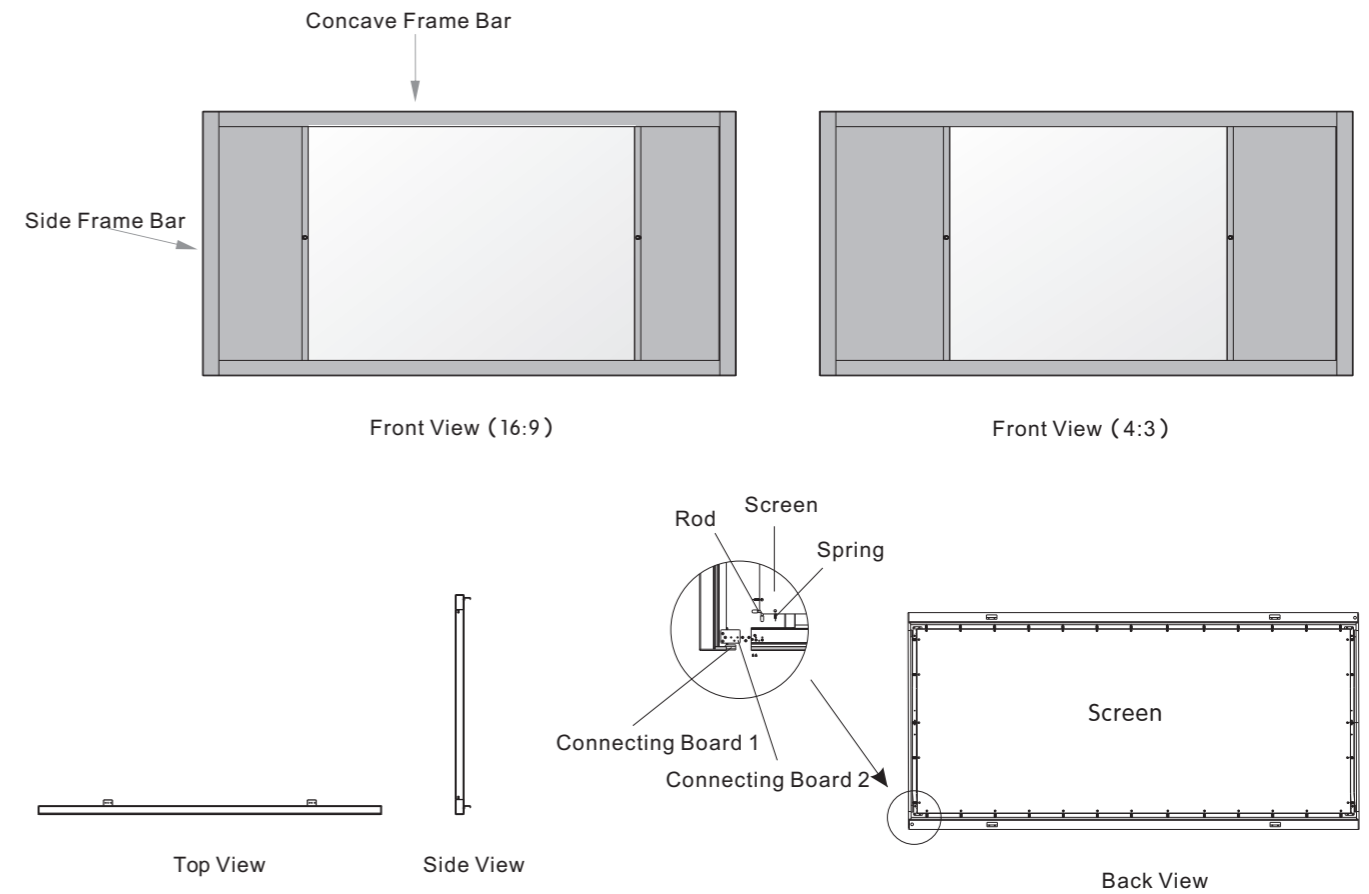
figure 10

Table 3: the safety distance between two brackets

Format	Specification	92"	100"	106"	110"	120"	125"	130"	132"
2.35:1	Distance(mm)	1005	1085	1144	1184	1284	1333	1383	1403

Note: due to product updates, sizes and specifications are subject to change at any time.

## Description



## Accessories

- Concave Frame Bar (2pcs)
- Top& Low Bracket (1pc)
- Security Fixing Screw (2pcs)
- Side Frame Bar (2pcs)
- $\phi 5 \times 40$ mm Tapping with Anchor (6sets)
- M5x8mm Screw (12pcs)
- M4x6mm Screw (8pcs)
- $\phi 7 \times \phi 0.8 \times 28$ mm Spring (A number)
- M6x12mm Screw (8pcs)
- Instruction Manual (1pc)
- Warranty Card (1pc)

## Installation

Open the packing box, check whether the components which need to be installed are complete or not according to the Accessory Diagrammatic Sketch in the user manual, then take out all the small components carefully from the packing box and put them at a suitable place, finally install it according to the operating method as below:

### Frame Installation

1. Put the fixing lug into the slots of top and bottom bars, taking the following table as reference (figure 1).

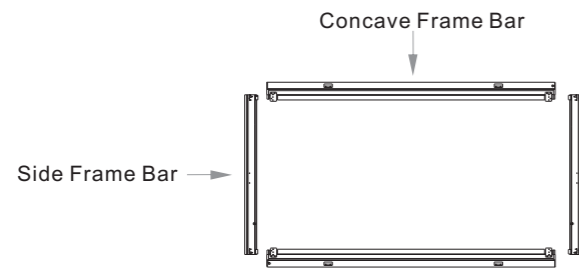


figure 1

2. Pull up the left bar to a suitable distance, and then attach the wheel into the groove of concave frame bar. Insert the connecting board 1 and the connecting board 2 into Concave Frame Bar (please operate together in two sides). Finally, fasten the corresponding screws: figure 2

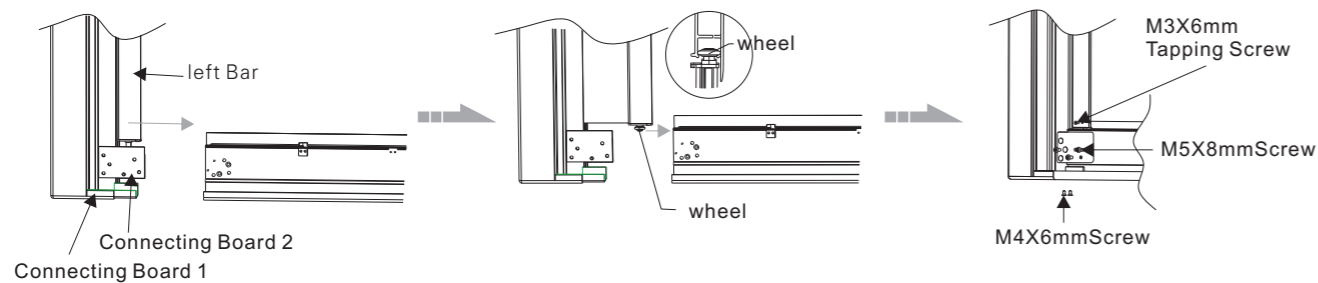


figure 2

3. The installation of right bar is the same as left bar. The installation has been completed (figure 3).

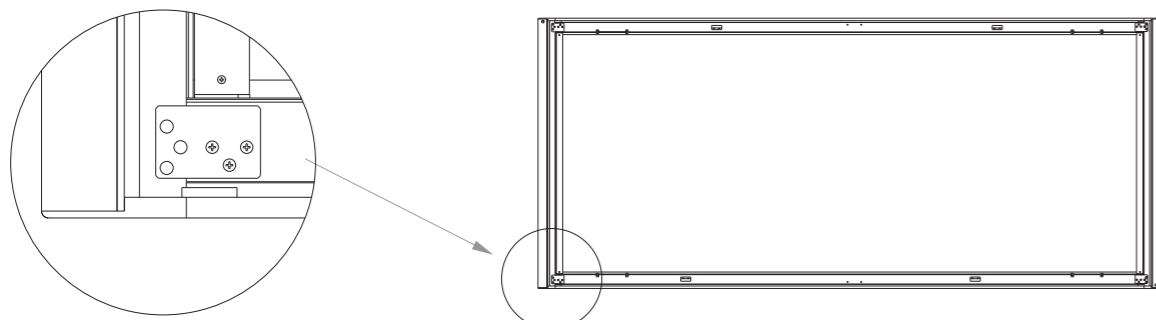


figure 3

## Screen Fabric Installation

1. Put the whole frame upside down and then unwrap the screen fabric (avoid scraping the fabric when unwrapping) (figure 4).

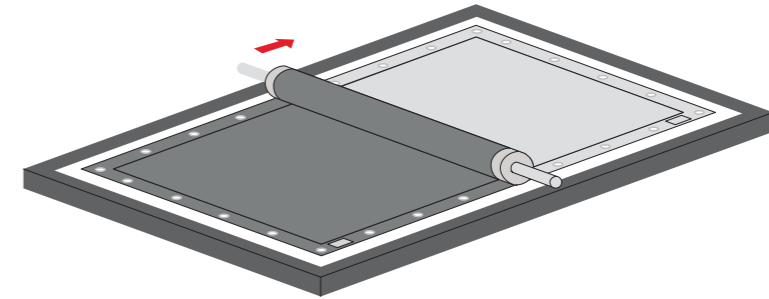


figure 4

2. Put the tension bars to the four slots of screen fabric (note: this is a step suggested to be completed by two persons, one to hold the screen fabric and the other pull through the tension bar) (figure 5-7).

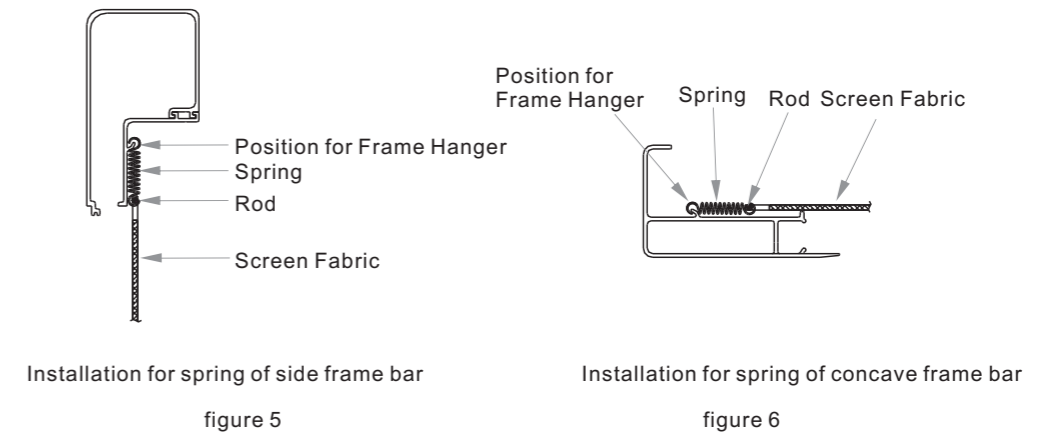


figure 5

figure 6

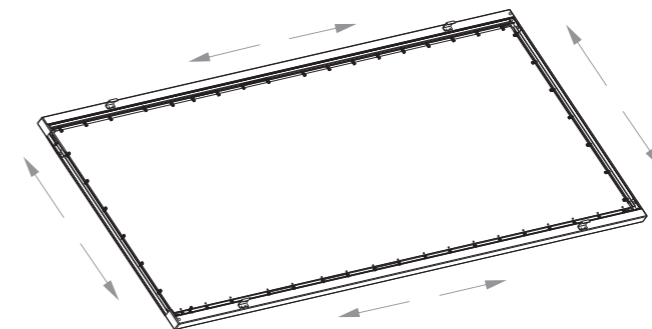


figure 7