

# Lenco

**Model: LBT-120**



User manual - Turntable with Bluetooth and USB direct encoding

Gebruikshandleiding - Platenspeler met Bluetooth en USB voor directe codering

Benutzerhandbuch – Plattenspieler mit Bluetooth und direkter USB-Aufnahme

Mode d'emploi - Tourne-disque avec Bluetooth et encodage direct en USB

Manual de usuario - Tocadiscos con Bluetooth y codificación directa USB

**Index**

English ..... 3  
Nederlands ..... 11  
Deutsch..... 19  
Français..... 28  
Español ..... 35

**CAUTION:**

Usage of controls or adjustments or performance of procedures other than those specified herein may result in hazardous radiation exposure.

**PRECAUTIONS BEFORE USE****KEEP THESE INSTRUCTIONS IN MIND:**

1. Do not cover or block any ventilation openings. When placing the device on a shelf, leave 5 cm (2") free space around the whole device.
2. Install in accordance with the supplied user manual.
3. Keep the device away from heat sources such as radiators, heaters, stoves, candles and other heat-generating products or naked flame. The apparatus can only be used in moderate climates. Extremely cold or warm environments should be avoided. Working temperature between 0° and 35° C.
4. Avoid using the device near strong magnetic fields.
5. Electrostatic discharge can disturb normal usage of this device. If so, simply reset and restart the device following the instruction manual. During file transmission, please handle with care and operate in a static-free environment.
6. Warning! Never insert an object into the product through the vents or openings. High voltage flows through the product and inserting an object can cause electric shock and/or short circuit internal parts. For the same reason, do not spill water or liquid on the product.
7. Do not use in wet or moist areas such as bathrooms, steamy kitchens or near swimming pools.
8. The apparatus shall not be exposed to dripping or splashing and make sure that no objects filled with liquids, such as vases, are placed on or near the apparatus.
9. Do not use this device when condensation may occur. When the unit is used in a warm wet room with damp, water droplets or condensation may occur inside the unit and the unit could maybe not work properly; let the unit stand in power OFF for 1 or 2 hours before turning on the power: the unit should be dry before getting any power.
10. Although this device is manufactured with the utmost care and checked several times before leaving the factory, it is still possible that problems may occur, as with all electrical appliances. If you notice smoke, an excessive build-up of heat or any other unexpected phenomena, you should disconnect the plug from the main power socket immediately.
11. This device must operate on a power source as specified on the specification label. If you are not sure of the type of power supply used in your home, consult your dealer or local power company.
12. Keep away from rodents. Rodents enjoy biting on power cords.
13. To clean the device, use a soft dry cloth. Do not use solvents or petrol based fluids. To remove severe stains, you may use a damp cloth with dilute detergent.
14. The supplier is not responsible for damage or lost data caused by malfunction, misuse, modification of the device or battery replacement.
15. Do not interrupt the connection when the device is formatting or transferring files. Otherwise, data may be corrupted or lost.
16. If the unit has USB playback function, the usb memory stick should be plugged into the unit directly. Don't use an usb extension cable because it can cause interference resulting in failing of data.
17. The rating label has been marked on the bottom or back panel of the apparatus.
18. This device is not intended for use by people (including children) with physical, sensory or mental disabilities, or a lack of experience and knowledge, unless they're under supervision or have received instructions about the correct use of the device by the person who is responsible for their safety.
19. This product is intended for non professional use only and not for commercial or industrial use.
20. Make sure the unit is adjusted to a stable position. Damage caused by using this product in an unstable position vibrations or shocks or by failure to follow any other warning or precaution contained within this user manual will not be covered by warranty.
21. Never remove the casing of this apparatus.

22. Never place this apparatus on other electrical equipment.
23. Do not allow children access to plastic bags.
24. Only use attachments/accessories specified by the manufacturer.
25. Refer all servicing to qualified service personnel. Servicing is required when the apparatus has been damaged in any way, such as the power supply cord or the plug, when liquid has been spilled or objects have fallen into the apparatus, when the apparatus has been exposed to rain or moisture, does not operate normally, or has been dropped.
26. Prolonged exposure to loud sounds from personal music players may lead to temporary or permanent hearing loss.
27. If the product is delivered with power cable or AC power adaptor :
  - If any trouble occur, disconnect the AC power card and refer servicing to qualified personnel.
  - To completely disconnect the power input, the mains plug of the apparatus shall be disconnected from the mains, as the disconnect device is the mains plug of apparatus.
  - Don't step on or pinch the power adaptor. Be very careful, particularly near the plugs and the cable's exit point. Do not place heavy items on the power adaptor, which may damage it. Keep the entire device out of children's reach! When playing with the power cable, they can seriously injure themselves.
  - Unplug this device during lightning storms or when unused for a long period.
  - The socket outlet must be installed near the equipment and must be easily accessible.
  - Do not overload ac outlets or extension cords. Overloading can cause fire or electric shock.
  - Devices with class 1 construction should be connected to a main socket outlet with a protective earthed connection.
  - Devices with class 2 construction do not require a earthed connection.
  - Always hold the plug when pulling it out of the main supply socket. Do not pull the power cord. This can cause a short circuit.
  - Do not use a damaged power cord or plug or a loose outlet. Doing so may result in fire or electric shock.
28. If the product contains or is delivered with a remote control containing coin / cell batteries:
 

Warning:

  - "Do not ingest battery, Chemical Burn Hazard" or equivalent warning.
  - [The remote control supplied with] This product contains a coin / button cell battery is swallowed, it can cause severe internal burns in just 2 hours and can lead to death.
  - Keep new and used batteries away from children.
  - If the battery compartment does not close securely, stop using the product and keep it away from children.
  - If you think batteries might have been swallowed or placed inside any part of the body, seek immediate medical attention.
29. Caution about the use of Batteries:
  - Danger of explosion if battery is incorrectly replaced. Replace only with the same or equivalent type.
  - Battery cannot be subjected to high or low extreme temperatures, low air pressure at high altitude during use, storage or transportation.
  - Replacement of a battery with an incorrect type that can result in an explosion or the leakage of flammable liquid or gas.
  - Disposal of a battery into fire or a hot oven, or mechanically crushing or cutting of a battery, that can result in an explosion.
  - Leaving a battery in an extremely high temperature surrounding environment that can result in an explosion or that leakage of flammable liquid or gas.
  - A battery subjected to extremely low air pressure that may result in an explosion or the leakage of flammable liquid or gas.
  - Attention should be drawn to the environmental aspects of battery disposal.

#### **INSTALLATION**

- Unpack all parts and remove protective material.

- Do not connect the unit to the mains before checking the mains voltage and before all other connections have been made.

**\* Those instruction are related only to products using power cable or AC power adaptor.**

### Information for power adaptor

Power supply adaptor

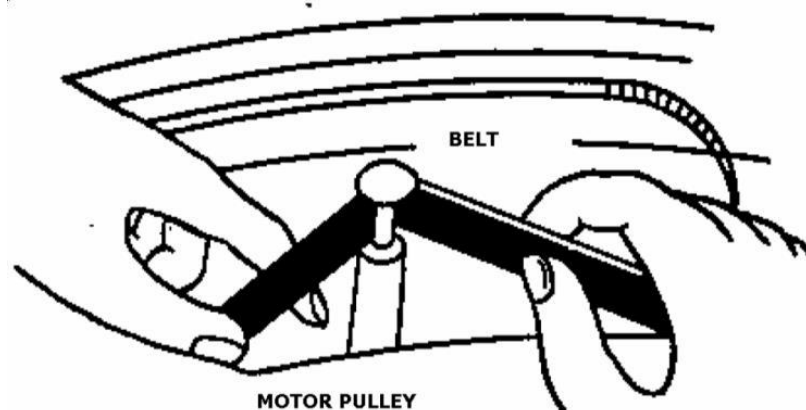
- Manufacturer: Blue Iron
- Model number: BI12T-120100-I
- Adaptor type: External AC adaptor
- Use only the power supply listed in the user instructions

### Assembly

#### Drive belt:

The belt and turntable platter have been installed properly at factory, but the belt may be loose during transportation. If so, the following procedures will be taken for belt installation by yourself.

- Remove the rubber mat from the turntable platter and the E ring from the turntable shaft, then release the turntable platter from the shaft
- Put the drive belt on the inner rim of the turntable platter and pull it through the hole
- Hold the belt with your fingers and place the belt onto the motor pulley as shown in the drawing.



- Clip the E ring on the shaft and place the rubber mat onto the turntable platter.

#### Caution:

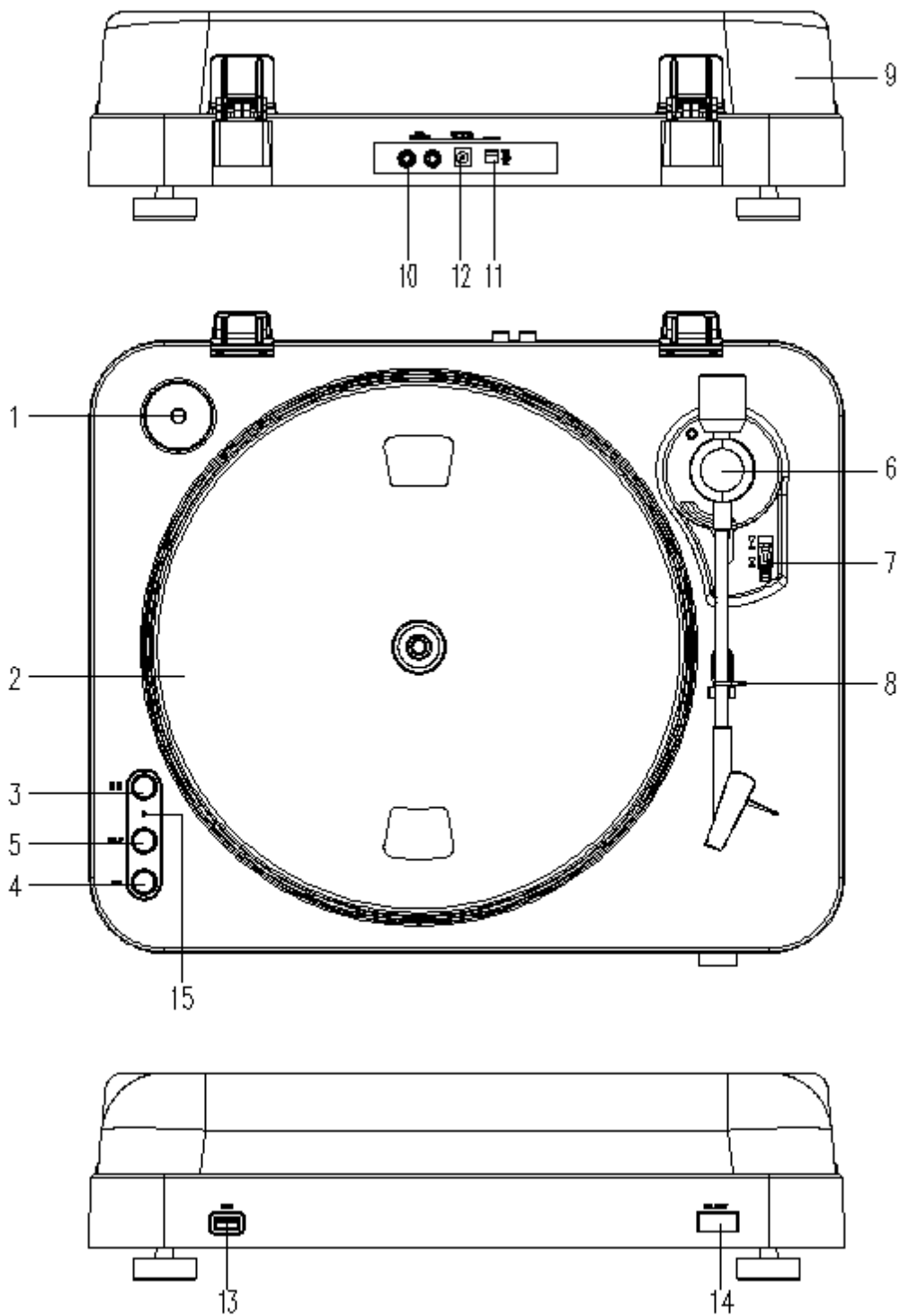
1. Make sure that the drive belt is not twisted or distorted.
2. Avoid oil. Oil splashes will make the belt slippery.

#### Auto Return Reset:

Always do the reset for Auto Return once you move this product. The mechanism of Auto Return will rotate irregularly when moving and it will cause the malfunction of Auto Return. The following steps will reset the mechanism to normal.

1. Place a record on the platter and play it.
2. Manually lever the tone arm and place it to the blank part of the end of the record.
3. The mechanism of Auto Return function will be adjusted properly and the tone arm will automatically return to the arm rest.

#### Description



**1. Adaptor:**

Use this adaptor when playing 45 RPM records.

**2. Platter:** Place a record here to play.

**3. 33/45 RPM Switch:**

Switch 33 or 45 rpm for playing a record at a correct speed.

#### **4. REC:**

Press it to enter into record mode.

#### **5. SPLIT/PAIR (BLUETOOTH)**

Split function: For stopping the current recording, forming a record file manually and then going on recording the next track.

Pair function: Press this button until the LED indicator starts flashing blue, then put your Bluetooth speaker or headphone into pairing mode. Then this turntable will connect with the Bluetooth speaker or headphone automatically and the LED indicator will be blue without flashing after the connection is made. The wireless music playback can start. You can start streaming the music wirelessly!

Press this button till the LED indicator becomes blue flashing and the Bluetooth connection is disconnected.

Remark: When you try to pair the turntable, better close the Bluetooth function of the Bluetooth products within 10 meter that you do not want to pair.

#### **6. Pick-up arm stand**

#### **7. Pick-up Arm Lift Stick:**

To raise up and down the Pick-up Arm and cue at a proper place of a vinyl.

#### **8. Pick-up Arm Lock:**

Use this to lock the Pick-up Arm when not in use or for transportation.

#### **9. Dust Cover:**

Use this to protect the turntable from exposure to dust. The cover may be opened or removed during use, but should remain closed when the turntable is not in use.

#### **10. RCA Line Out Cable**

Connect the RCA line out to a mixer or an amplifier in your sound system.

#### **11. Power Switch:**

For turning the power on or off through this switch. Please switch off the unit after finishing the playing to save the energy..

#### **12. Power Adaptor**

Connect this adaptor to an AC outlet of the proper voltage.

#### **13. USB Port Input:**

Plug in a USB Pen Drive for recording the music from a record.

\* The design is only for USB Flash Drive. To prevent the power supply is not sufficient and overheated of the circuit(IC), always get the external power supply if using a hard drive.

#### **14. Reject**

Press it to force the arm to return directly to the arm rest

#### **15. LED**

- USB Record Operation and LED Signal Indication
- USB storage device is not plugged. -> LED light is off
- USB storage device is plugged in -> LED flashes
- When the system is ready to record. -> LED light is on
- Press REC button to start recording. -> LED blinks slowly.
- Press SPLIT button to create new file in the recording.



- Press REC button again to stop recording. -> LED is flashing for a short time, then LED light is on again.

Note: Do not remove the USB storage device if the LED is flashing.

### **Mains connection**

Ensure that the mains voltage of your home corresponds to the operating voltage of the unit. Your unit is ready to be connected to a correct voltage of your location.

### **Amplifier connection**

Connect RCA line out cable (10) to the AUX input on your amplifier:

- Red plug into R channel input.
- White plug into L channel input.
- Place the record of your choice on the turntable. If it is a 45 rpm, do not forget to place the adaptor (1) on the record spindle.
- Choose the desired playing speed:

33 rpm -> button unlocked

45 rpm-> button locked.

- Release the pick-up arm clip.
  - Place the cartridge vertically over the first track of the record, the turntable starts turning.
  - When the record is over, the pick-up arm returns to its rest, the turntable stops turning
- Take care that the pick-up lift stick is in down position, close pick-up arm lock to secure pick-up arm.

### **Technical specification**

Power Supply: AC100-240 60/50HZ

Power Consumption: 12W

Wow & Flutter: 0.3%

Distortion: 3%~4%

S/N: 50 dB

Audio Output Voltage: 500mV  $\pm$ 200mV

### **\* IMPORTANT RECOMMENDATIONS**

We advise you to clean your records using an impregnated rag with an antistatic product for maximum enjoyment of your records and also to make them last.

We would also point out that for the same reason your stylus should be replaced periodically (approximately every 250 hours).

Dust the stylus from time to time using a very soft brush dipped in alcohol (brushing from the back to the front of the cartridge).

## Guarantee

Lenco offers service and warranty in accordance to European law, which means that in case of repairs (both during and after the warranty period) you should contact your local dealer.

Important note: It is not possible to send products that need repairs to Lenco directly.

Important note: If this unit is opened or accessed by a non-official service center in any way, the warranty expires.

This device is not suitable for professional use. In case of professional use, all warranty obligations of the manufacturer will be voided.

## Disclaimer

Updates to Firmware and/or hardware components are made regularly. Therefore some of the instruction, specifications and pictures in this documentation may differ slightly from your particular situation. All items described in this guide for illustration purposes only and may not apply to particular situation. No legal right or entitlements may be obtained from the description made in this manual.

## Disposal of the Old Device



This symbol indicates that the relevant electrical product or battery should not be disposed of as general household waste in Europe. To ensure the correct waste treatment of the product and battery, please dispose them in accordance to any applicable local laws of requirement for disposal of electrical equipment or batteries. In so doing, you will help to conserve natural resources and improve standards of environmental protection in treatment and disposal of electrical waste (Waste Electrical and Electronic Equipment Directive).

## CE Marking

Hereby, Lenco Benelux B.V., Thermiekstraat 1a, 6361 HB Nuth, The Netherlands, declares that this product is in compliance with the essential EU directive requirements.

The declaration of conformity may be consulted via [techdoc@commaxxgroup.com](mailto:techdoc@commaxxgroup.com)



## Service

For more information and helpdesk support, please visit [www.lenco.com](http://www.lenco.com)

Lenco Benelux BV, Thermiekstraat 1a, 6361 HB, The Netherlands.

**LET OP:**

Gebruik van bedieningen of afstellingen of uitvoer van procedures anders dan gespecificeerd in deze documentatie kan leiden tot blootstelling aan schadelijke straling.

**VOORZORGSMAATREGELEN VOOR GEBRUIK****ONTHOUD DE VOLGENDE INSTRUCTIES:**

1. Bedek of blokkeer de ventilatieopeningen niet. Wanneer u het apparaat op een schap plaatst, dient u 5 cm (2") vrije ruimte rondom het gehele apparaat te behouden.
2. Installeer het product volgens de meegeleverde gebruikershandleiding.
3. Houd het apparaat uit de buurt van hittebronnen, zoals radiatoren, verwarmingen, kachels, kaarsen en andere hittegenererende producten of open vuur. Het apparaat kan alleen worden gebruikt in gematigde klimaten. Extreem koude of warme omgevingen dienen te worden vermeden. Bedrijfstemperatuur tussen 0° en 35° C.
4. Gebruik dit apparaat niet in de buurt van krachtige magnetische velden.
5. Elektrostatische ontlading kan normaal gebruik van dit apparaat verstoren. U hoeft het apparaat in dit geval slechts te resetten en opnieuw op te starten volgens de gebruikershandleiding. Wees voorzichtig tijdens bestandsoverdracht en gebruik het product in een omgeving zonder statische interferentie.
6. Waarschuwing! Steek nooit een voorwerp via de ventilatie- of andere openingen in het product. Er is hoogspanning in het product aanwezig en als u er een object insteekt, kan dat een elektrische schok veroorzaken en/of kortsluiting in de interne onderdelen. Mors om dezelfde reden geen water of vloeistof op het product.
7. Gebruik het toestel niet in vochtige ruimtes, zoals badkamers, stomende keukens of in de buurt van zwembaden.
8. Het apparaat mag niet worden blootgesteld aan druppels of spatten en zorg ervoor dat er geen met vloeistof gevulde voorwerpen, zoals vazen, op of nabij het apparaat zijn geplaatst.
9. Gebruik dit apparaat niet wanneer condensatie kan optreden. Wanneer het apparaat in een warme en vochtige kamer wordt gebruikt, dan kunnen er waterdruppeltjes of condensatie binnenin het apparaat worden gevormd waardoor het apparaat mogelijk niet meer goed werkt; houd een apparaat 1 of 2 uur op UIT staan voordat u de voeding weer inschakelt: het apparaat dient droog te zijn voordat deze stroom ontvangt.
10. Alhoewel dit apparaat met grote zorg gefabriceerd en verschillende keren geïnspecteerd is voordat het de fabriek verlaat, is het nog steeds mogelijk dat er problemen optreden, zoals met alle elektrische apparaten. Als u rook, een overmatige hitteontwikkeling of enig ander onverwacht verschijnsel opmerkt, moet u onmiddellijk de stekker van het netsnoer uit het stopcontact halen.
11. Dit apparaat moet werken op een voedingsbron, zoals aangegeven op het specificatieplaatje. Als u twijfelt over het type voeding dat gebruikt wordt in uw huis, raadpleeg dan uw dealer of plaatselijk energiebedrijf.
12. Houd het uit de buurt van knaagdieren. Knaagdieren knauwen graag aan voedingskabels.
13. Gebruik een zacht, droog doekje om het apparaat te reinigen. Gebruik geen oplosmiddelen of op benzine gebaseerde vloeistoffen. U kunt een vochtig doekje met verdund schoonmaakmiddel gebruiken om hardnekkige vlekken te verwijderen.
14. De leverancier is niet verantwoordelijk voor schade of verloren gegevens veroorzaakt door storing, misbruik, modificatie van het apparaat of batterijvervanging.
15. Onderbreek nooit de verbinding wanneer het apparaat formatteert of bestanden overdraagt. De gegevens kunnen anders corrupt of verloren raken.
16. Indien het apparaat een USB-afspeelfunctie heeft, moet de USB-geheugenstick rechtstreeks op het apparaat worden aangesloten. Gebruik geen USB-verlengkabel, omdat die kan leiden tot storingen met foutieve gegevens als gevolg.
17. Het nominale specificatielabel is te vinden op het paneel aan de onder- of achterkant van het apparaat.
18. Dit apparaat is niet bestemd voor gebruik door mensen (inclusief kinderen) met fysieke, zintuiglijke of geestelijke gebreken of gebrek aan kennis en ervaring, tenzij zij onder toezicht

- staan of instructies hebben over het juiste gebruik van het apparaat hebben gekregen van de persoon die verantwoordelijk is voor hun veiligheid.
19. Dit product is alleen voor niet-professioneel gebruik bedoeld en niet voor commercieel of industrieel gebruik.
  20. Verzeker u ervan dat het apparaat in een stabiele positie staat opgesteld. Beschadigingen veroorzaakt door het gebruik van dit apparaat in een onstabiele positie, trillingen of schokken of door het niet opvolgen van andere waarschuwingen of voorzorgsmaatregelen beschreven in deze gebruikshandleiding worden niet gedekt door de garantie.
  21. Verwijder nooit de behuizing van dit apparaat.
  22. Plaats dit apparaat nooit op andere elektrische apparatuur.
  23. Geef kinderen geen gelegenheid in aanraking met plastic zakken te komen.
  24. Gebruik uitsluitend uitbreidingen/accessoires gespecificeerd door de fabrikant.
  25. Laat alle reparaties over aan gekwalificeerd onderhoudspersoneel. Onderhoud is vereist als het toestel hoe dan ook is beschadigd, zoals bijvoorbeeld het netsnoer of de stekker, wanneer er vloeistof of een voorwerp in het apparaat is terechtgekomen, wanneer het apparaat is blootgesteld aan regen of vocht, als het niet normaal werkt of is gevallen.
  26. Langdurige blootstelling aan luid geluid van persoonlijke muzikspelers kan leiden tot tijdelijke of permanente gehoorbeschadiging.
  27. Als het product wordt geleverd met voedingskabel of AC-stroomadapter:
    - Als er problemen optreden, koppel de AC-voedingskaart dan los en laat reparaties over aan bevoegd personeel.
    - Om de verbinding met de stroomaansluiting volledig te verbreken, moet de stekker van het apparaat uit het stopcontact worden gehaald, omdat de stekker van het apparaat de hoofdschakelaar is.
    - Nooit op de stroomadapter stappen of deze indrukken. Wees voornamelijk voorzichtig in de buurt van de stekkers en het punt waar de kabel uit het apparaat komt. Plaats geen zware voorwerpen op de stroomadapter, om beschadiging ervan te voorkomen. Houd het gehele apparaat buiten bereik van kinderen! Wanneer kinderen met de voedingskabel spelen, kunnen zij ernstig letsel oplopen.
    - Haal de stekker uit het stopcontact tijdens onweer of wanneer u deze langere tijd niet gebruikt.
    - Het stopcontact moet in de buurt van de apparatuur zijn geïnstalleerd en eenvoudig te bereiken zijn.
    - Overbelast stopcontacten of verlengsnoeren niet. Overbelasting kan brand of een elektrische schok veroorzaken.
    - Apparaten met een Klasse 1 structuur dienen te worden aangesloten op een stopcontact met een beschermende aardverbinding.
    - Apparaten met een Klasse 2 structuur vereisen geen aardverbinding.
    - Houd altijd de stekker vast wanneer u deze uit het stopcontact trekt. Trek nooit aan de voedingskabel. Dit kan tot een kortsluiting leiden.
    - Gebruik nooit een beschadigde voedingskabel of stekker of een los stopcontact. Dit vormt namelijk een risico op brand of elektrische schokken.
  28. Indien het product knoopcelbatterijen bevat of wordt geleverd met een afstandsbediening die knoopcelbatterijen bevat:

Waarschuwing:

    - "Batterij niet inslikken, chemisch brandgevaar" of gelijkwaardige werking.
    - [De meegeleverd afstandsbediening] Dit product bevat een knoopcelbatterij. Bij inslikking van de batterij kan dit in minder dan 2 uur tijd tot ernstige interne brandwonden en de dood leiden.
    - Houd nieuwe en gebruikte batterijen buiten bereik van kinderen.
    - Als de batterijhouder niet goed kan worden gesloten, dient u het product niet meer te gebruiken en buiten bereik van kinderen te houden.
    - Als u denkt dat batterijen zijn ingeslikt of binnenin een willekeurig lichaamsdeel terecht zijn gekomen, dient u onmiddellijk medische hulp te zoeken.
  29. Waarschuwing m.b.t. het gebruik van batterijen:

- Als de batterij onjuist wordt geplaatst, bestaat er explosiegevaar. Vervang de batterij alleen door een zelfde of vergelijkbare soort batterij.
- Stel de batterij niet bloot aan extreem hoge of lage temperaturen of een lage luchtdruk op grote hoogte tijdens gebruik, opslag of transport.
- Vervanging van een batterij door een incorrect type kan leiden tot een ontploffing of de lekkage van ontvlambare vloeistoffen of gas.
- Verwijdering van een batterij in vuur of een hete oven of het mechanisch verpletteren of snijden van een batterij kan leiden tot een ontploffing.
- Laat een batterij nooit achter in omgevingen met extreem hoge temperaturen, anders kan dit leiden tot een ontploffing of de lekkage van ontvlambare vloeistoffen of gas.
- Stel een batterij nooit bloot aan een extreem lage luchtdruk, anders kan dit leiden tot een ontploffing of de lekkage van ontvlambare vloeistoffen of gas.
- Aandacht voor het milieu is nodig bij het verwijderen van de batterijen.

#### **INSTALLATIE**

- Pak alle onderdelen uit en verwijder de beschermende materialen.
- Sluit het apparaat niet aan op het stopcontact, voordat u de netspanning hebt gecontroleerd en voordat alle andere aansluitingen zijn gemaakt.

**\* deze instructies zijn enkel van toepassing voor producten met een voedingskabel of een AC voedingsadapter.**

## Informatie over de voedingsadapter

Voedingsadapter

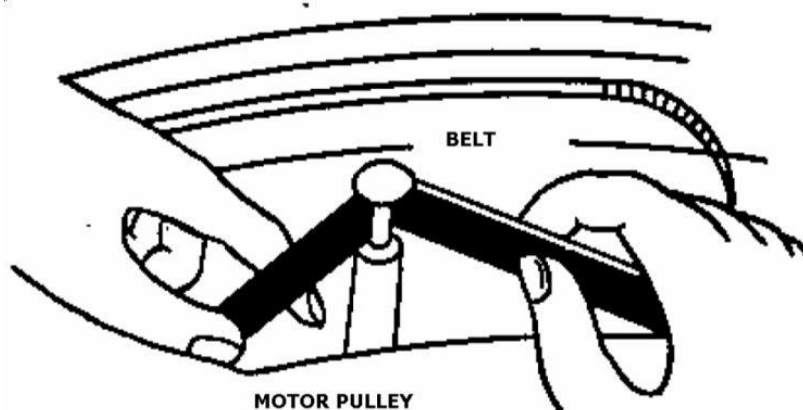
- Fabrikant: Blue Iron
- Modelnummer: BI12T-120100-I
- Soort adapter: Externe AC-adapter
- Gebruik uitsluitend de lichtnetdapter die in de gebruiksaanwijzing wordt vermeld

## Montage

### Aandrijfriem:

De riem en het draaiplateau zijn in de fabriek juist geïnstalleerd, maar de riem kan tijdens het transport losraken. In dat geval moet u de volgende procedures volgen voor de installatie van de riem.

- Verwijder de rubberen mat van het draaiplateau en de E-ring van de as van het draaiplateau en haal vervolgens het draaiplateau los van de as
- Plaats de aandrijfriem op de binnenrand van het draaiplateau en trek deze door het gat
- Houd de riem met uw vingers vast en plaats de riem op de motorpoelie zoals getoond in de tekening.



EN	NL
<b>BELT</b>	<b>RIEM</b>
<b>MOTOR PULLEY</b>	<b>MOTORPOELIE</b>

- Klem de E-ring op de as en plaats de rubberen mat op het draaiplateau.

### Let op:

- Zorg ervoor dat de aandrijfriem niet gedraaid of vervormd is.
- Vermijd olie. Oliespatten maken de riem glibberig.

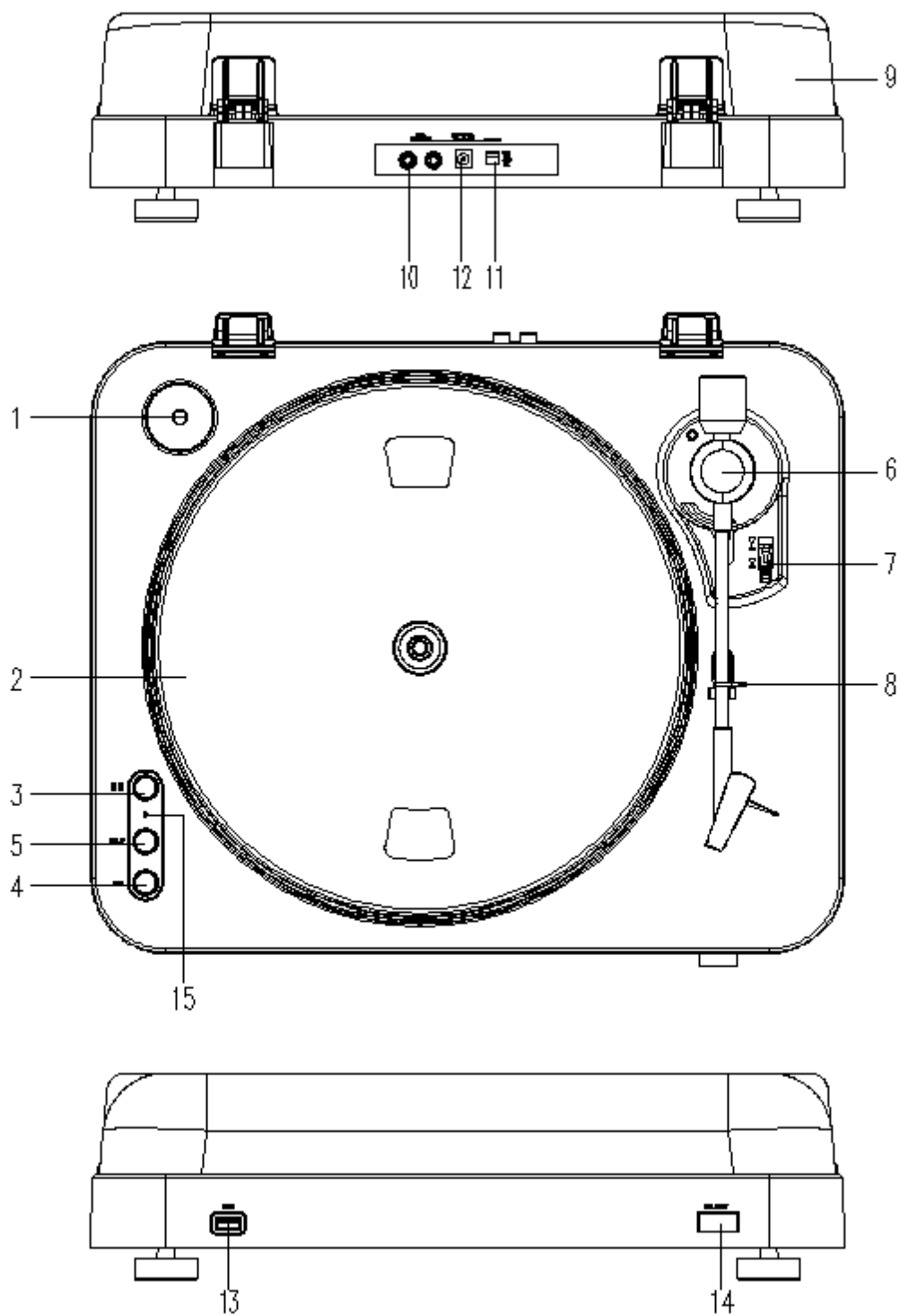
Auto Return resetten:

Voer altijd de reset uit voor Auto Return zodra u dit product verplaatst. Het mechanisme van Auto Return roteert onregelmatig tijdens het verplaatsen en het veroorzaakt een storing van Auto Return. Met de volgende stappen wordt het mechanisme naar normaal teruggezet.

- Plaats een plaat op het draaiplateau en speel deze af.

2. Til de toonarm handmatig op en plaats deze op het lege gedeelte aan het einde van de langspeelplaat.
3. Het mechanisme van de functie Auto Return zal juist worden aangepast en de toonarm keert automatisch terug naar de armsteun.

### Omschrijving



**1. Adapter:**

Gebruik deze adapter voor het afspelen van 45-toerenplaten.

**2. Plateau:** Plaats hier een plaat om af te spelen.

**3. 33/45 TPM-schakelaar:**

Schakel naar 33 of 45-toeren voor het afspelen van een plaat met de juiste snelheid.

**4. OPNAME/MP3 codering:**

Druk erop om naar de opnamemodus te gaan.

**5. SPLITSEN/KOPPELEN (BLUETOOTH)**

Splits-functie: Voor het stoppen van de huidige opname, het handmatig vormen van een opnamebestand en vervolgens doorgaan met het opnemen van de volgende track.

Koppel-functie: Druk op deze knop tot dat de LED-indicator blauw begint te knipperen en zet vervolgens uw Bluetooth-luidspreker of -hoofdtelefoon in de koppelmodus. Vervolgens maakt deze platenspeler automatisch verbinding met de Bluetooth-luidspreker of -hoofdtelefoon en de LED-indicator brandt blauw zonder te knipperen na dat de verbinding is gemaakt. Het draadloos afspelen van muziek kan starten. U kunt starten met het draadloos streamen van de muziek!

Druk op deze knop tot dat de LED-indicator blauw gaat knipperen en de Bluetooth-verbinding is verbroken.

Opmerking: Als u probeert de platenspeler te koppelen, dan kunt u beter de Bluetooth-functie van Bluetooth-producten binnen 10 meter sluiten die u niet wilt koppelen.

**6. Houder voor arm**

**7. Hefboom van de arm:**

Om de hefboom van de arm op en neer te bewegen en op een juiste plaats op een vinylplaat te richten.

**8. Slot voor arm:**

Gebruik dit om de arm te vergrendelen wanneer deze niet in gebruik is of voor transport.

**9. Stofkap:**

Gebruik dit om de platenspeler te beschermen tegen blootstelling aan stof. De kap kan tijdens gebruik worden geopend of verwijderd, maar moet gesloten blijven wanneer de platenspeler niet in gebruik is.

**10. RCA-uitgang voor kabel**

Verbind de RCA-uitgang met een mixer of een versterker in uw geluidsinstallatie.

**11. Aan/uit-schakelaar:**

Voor het aan- en uitzetten via deze schakelaar. Zet het apparaat uit nadat u klaar bent met het afspelen om energie te besparen.

**12. Voedingsadapter**

Sluit deze adapter aan op een stopcontact met de juiste spanning.

**13. Ingang USB-poort:**

Sluit een USB-stick aan om de muziek van een plaat op te nemen.

\* Het ontwerp is alleen voor een USB-stick. Om te voorkomen dat de voeding niet voldoende is en de schakeling (IC) oververhit raakt, moet u altijd de externe voeding gebruiken als u een harde schijf gebruikt.

**14. Reject**

Druk erop om de arm te forceren direct terug te keren naar de armsteun



## 15. LED

- USB-opname en LED-siginaalindicatie
- USB-opslagapparaat is niet aangesloten. -> LED-lampje is uit
- USB-opslagapparaat is aangesloten -> LED knippert
- Als het systeem gereed is om op te nemen. -> LED-lampje is aan
- Druk op de knop REC om de opname te starten. -> LED knippert langzaam.
- Druk op de knop SPLIT om een nieuw bestand te maken in de opname.
- Druk nogmaals op de knop REC om het opnemen te stoppen. -> LED knippert korte tijd en vervolgens brandt het LED-lampje weer.

Opmerking: Verwijder het USB-opslagapparaat niet als de LED knippert.

### **Netaansluiting**

Zorg ervoor dat de netspanning bij u thuis overeenkomt met de bedrijfsspanning van het apparaat. Uw apparaat is gereed om te worden aangesloten op de juiste spanning van uw locatie.

### **Versterkeraansluiting**

Sluit de kabel aan op de RCA-uitgang (10) en op de AUX-ingang van uw versterker:

- Rode stekker in de ingang van het R-kanaal.
- Witte stekker in de ingang van het L-kanaal.
- Leg een plaat op het plateau. Als het een 45-toerenplaat is, vergeet dan niet om de adapter (1) op de as van het plateau te plaatsen.
- Kies de gewenste afspeelsnelheid:  
33-toeren -> knop ontgrendeld  
45-toeren -> knop vergrendeld
- Laat de toonarmvergrendeling los.
- Plaats de naaldkop verticaal over de eerste track van de plaat; de platenspeler begint te draaien.
- Nadat de plaat gereed is met afspelen, keert de arm terug naar de armsteun en het plateau stopt met draaien

Zorg ervoor dat de hefboom van de arm in de laagste positie staat, sluit het slot om de arm vast te zetten.

### **Technische specificaties**

Stroomvoorziening: AC100-240 60/50 Hz

Opgenomen vermogen: 12 W

Wow & Flutter: 0.3%

Vervorming: 3%~4%

Signaal/ruis: 50 dB

Spanning audio-uitgang: 500 mV  $\pm$ 200 mV

### **\* BELANGRIJKE AANBEVELINGEN**

Om maximaal van uw platen te genieten en deze lange tijd te kunnen gebruiken, adviseren wij u uw platen te reinigen met een geïmpregneerde doek met een antistatisch product.

Wij wijzen u er om dezelfde redenen op dat ook uw naald regelmatig dient te worden vervangen (ca. elke 250 uur).

Stof de naald van tijd tot tijd af met een zeer fijn borsteltje en een klein beetje alcohol (borstel

van achter naar voren over het patroon).

### **Garantie**

Lenco biedt service en garantie aan overeenkomstig met de Europese wetgeving. Dit houdt in dat u, in het geval van reparaties (zowel tijdens als na de garantieperiode), uw lokale handelaar moet contacteren.

Belangrijke opmerking: Het is niet mogelijk om producten die gerepareerd moeten worden direct naar Lenco te sturen.

Belangrijke opmerking: De garantie verloopt als een onofficieel servicecenter het apparaat op wat voor manier dan ook heeft geopend, of er toegang toe heeft gekregen.

Het apparaat is niet geschikt voor professioneel gebruik. In het geval van professioneel gebruik worden alle garantieverplichtingen van de fabrikant nietig verklaard.

### **Disclaimer**

Er worden regelmatig updates in de firmware en/of hardwarecomponenten gemaakt. Daardoor kunnen gedeelten van de instructie, de specificaties en afbeeldingen in deze documentatie enigszins verschillen van uw eigen situatie. Alle onderwerpen die staan beschreven in deze handleiding zijn bedoeld als illustratie en zijn niet van toepassing op specifieke situaties. Aan de beschrijving in dit document kunnen geen rechten worden ontleend.

### **Afvoer van het oude apparaat**



Dit symbool geeft aan dat het betreffende elektrische product of de batterij niet moet worden verwijderd als algemeen huishoudelijk afval in Europa. Zorg voor een juiste afvalverwerking door het product en de batterij in overeenstemming met alle van toepassing zijnde lokale wetten voor het verwijderen van elektrische apparatuur of batterijen te verwijderen. Als u dit doet, helpt u de natuurlijke hulpbronnen te behouden en de standaard van milieubescherming te verbeteren bij de behandeling en verwijdering van elektrisch afval (Afgedankte Elektrische en Elektronische Apparatuur).

### **CE-markering**

Lenco Benelux B.V., Thermiekstraat 1a, 6361 HB Nuth, Nederland, verklaart hierbij dat dit product voldoet aan de vereisten van de essentiële EU-richtlijnen. De conformiteitsverklaring kan worden opgevraagd via [techdoc@commaxxgroup.com](mailto:techdoc@commaxxgroup.com)



### **Service**

Bezoek voor meer informatie en helpdeskondersteuning [www.lenco.com](http://www.lenco.com)

Lenco Benelux BV, Thermiekstraat 1a, 6361 HB, Nederland.

**ACHTUNG:**

Eine andere als die hier beschriebene Bedienung, Einstellung oder Verwendung der Funktionen kann zu gefährlicher Strahlenbelastung führen.

**VORSICHTSMASSNAHMEN VOR DER BENUTZUNG****BEFOLGEN SIE IMMER FOLGENDE ANWEISUNGEN:**

1. Blockieren oder bedecken Sie keine Lüftungsöffnungen. Wenn Sie das Gerät auf ein Regal stellen, lassen Sie um das gesamte Gerät 5 cm (2") freien Platz.
2. Stellen Sie das Gerät entsprechend den Anweisungen der mitgelieferten Bedienungsanleitung auf.
3. Halten Sie das Gerät von Hitzequellen wie Radiatoren, Heizern, Öfen, Kerzen oder anderen hitzeerzeugenden Produkten oder offenen Flammen fern. Das Gerät darf nur bei gemäßigttem Klima verwendet werden. Sehr kalte oder heiße Umgebungen sind zu vermeiden. Die Betriebstemperatur liegt zwischen 0 °C und 35 °C.
4. Meiden Sie bei der Nutzung des Produkts die Nähe starker Magnetfelder.
5. Elektrostatische Entladungen können die normale Verwendung von diesem Gerät stören. Sollte dies geschehen, führen Sie einfach einen Reset aus und starten Sie dann das Gerät entsprechend den Anweisungen dieser Bedienungsanleitung neu. Gehen Sie besonders bei Datenübertragungen mit dem Gerät vorsichtig um und führen Sie diese nur in einer antielektrostatischen Umgebung aus.
6. Warnung! Niemals Gegenstände durch die Lüftungsschlitze oder Öffnungen in das Gerät stecken. In diesem Gerät fließt Hochspannung und das Hineinstecken von Gegenständen kann zu elektrischem Schock und/oder Kurzschluss interner elektrischer Bauteile führen. Aus dem gleichen Grund kein Wasser oder Flüssigkeiten in das Gerät geben.
7. Benutzen Sie das Gerät nicht in nasser oder feuchter Umgebung wie Bad, Dampfküche oder in der Nähe von Schwimmbädern.
8. Das Gerät darf weder Tropf- noch Spritzwasser ausgesetzt werden und es dürfen keine mit Flüssigkeit gefüllten Behälter wie z.B. Vasen auf das Gerät oder in der Nähe des Gerätes gestellt werden.
9. Benutzen Sie das Gerät nicht bei Kondensationsgefahr. Wenn Sie das Gerät in einem warmen feuchten Raum mit Dampf benutzen, dann können Wassertropfen oder Kondensation in das Gerät eindringen und u. U. zu Fehlfunktionen des Geräts führen. Schalten Sie in diesem Fall das Gerät für 1 – 2 Stunden aus, bevor Sie es erneut einschalten: Das Gerät sollte vollständig getrocknet sein, wenn Sie es wieder einschalten.
10. Obwohl dieses Gerät unter größter Sorgfalt und vor Auslieferung mehrmals überprüft wurde, können trotzdem wie bei jedem anderen elektrischen Gerät auch Probleme auftauchen. Trennen Sie das Gerät im Falle einer Raucherentwicklung, starker Hitzeentwicklung oder jeden anderen unnatürlichen Erscheinung sofort vom Netz.
11. Dieses Gerät ist durch eine Stromquelle wie auf dem Typenschild angegeben zu betreiben. Halten Sie bei Unsicherheiten über die Art Ihrer Stromversorgung in Ihrer Wohnung Rücksprache mit Ihrem Händler oder Ihrer Stromzuliefererfirma.
12. Halten Sie Nagetiere vom Gerät fern. Nagetiere lieben es, am Netzkabel zu nagen.
13. Benutzen Sie für die Reinigung ein weiches und trockenes Tuch. Benutzen Sie niemals Lösungsmittel oder Flüssigkeiten auf Ölbasis. Benutzen Sie zum Entfernen hartnäckiger Flecken ein feuchtes Tuch mit mildem Reinigungsmittel.
14. Der Hersteller haftet nicht für Schäden oder Verluste durch Fehlfunktion, Zweckentfremdung oder Modifikation des Geräts oder durch Wechseln der Batterien.
15. Unterbrechen Sie die Verbindung nicht während einer Formatierung oder einer Datenübertragung. Bei Unterbrechung drohen Datenverlust und Datenbeschädigung.
16. Wenn das Gerät eine USB-Wiedergabefunktion besitzt, dann stecken Sie den USB-Stick direkt in das Gerät. Verwenden Sie kein USB-Verlängerungskabel, weil die erhöhte Störanfälligkeit zu Datenverlust führen könnte.
17. Das Typenschild befindet sich an der Unter- oder Rückseite des Gerätes.

18. Dieses Gerät ist nicht zur Benutzung durch Personen (auch Kinder) mit physischen, sensorischen oder mentalen Beeinträchtigungen oder ohne ausreichender Erfahrung vorgesehen, es sei denn, sie werden durch eine verantwortliche Person beaufsichtigt oder wurden in die ordnungsgemäße Bedienung des Gerätes durch eine für ihre Sicherheit verantwortlichen Person eingewiesen.
19. Dieses Produkt ist nur für den nicht-professionellen Gebrauch und nicht für gewerbliche oder industrielle Zwecke bestimmt.
20. Stellen Sie sicher, dass das Gerät in einer stabilen Position aufgestellt ist. Schäden, die durch Verwendung dieses Produkts in einer instabilen Position, durch Vibrationen, Stöße oder Nichtbeachtung der anderen in diesem Handbuch enthaltener Warnungen und Vorwarnung entstehen, werden nicht durch die Garantie abgedeckt.
21. Entfernen Sie niemals das Gehäuse dieses Geräts.
22. Stellen Sie dieses Gerät niemals auf andere elektrische Geräte.
23. Halten Sie Kinder von den Plastiktüten fern.
24. Benutzen Sie nur vom Hersteller spezifizierte Erweiterungen/Zubehörteile.
25. Lassen Sie alle Eingriffe von qualifiziertem Servicepersonal ausführen. Eingriffe werden notwendig, wenn das Gerät in irgendeiner Weise beschädigt wurde, beispielsweise am Netzkabel oder am Netzstecker oder wenn Flüssigkeit in das Gerät gelangt ist bzw. Gegenstände in das Gerät gefallen sind, das Gerät Regen oder Feuchtigkeit ausgesetzt war, es heruntergefallen ist oder nicht ordnungsgemäß funktioniert.
26. Längeres Hören lauter Töne aus einem Musikgerät kann zum zeitweiligen oder permanenten Hörverlust führen.
27. Wenn zum Lieferumfang des Produkts eine Netzkabel oder ein Netzadapter gehört:
  - Wenn irgendwelche Probleme auftreten, dann trennen Sie das Gerät vom Stromnetz und setzen Sie sich anschließend mit qualifiziertem Personal in Verbindung.
  - Um das Gerät vollständig vom Netz zu trennen, muss der Netzstecker des Gerätes vom Stromnetz getrennt werden, wobei die zu trennende Einheit den Netzstecker des Gerätes bezeichnet.
  - Treten Sie nicht auf das Netzteil und klemmen Sie es auch nicht ein. Seien Sie im näheren Bereich des Steckers und der Herausführungen des Kabels besonders vorsichtig. Stellen Sie keine schweren Gegenstände auf das Netzteil, weil es dadurch beschädigt werden könnte. Halten Sie das gesamte Gerät außerhalb der Reichweite von Kindern! Durch Spielen mit dem Netzkabel können sie sich ernsthafte Verletzungen zuziehen.
  - Trennen Sie das Gerät während eines Gewitters oder bei längerer Nichtbenutzung vom Netz.
  - Die Wandsteckdose muss sich in der Nähe des Geräts befinden und einfach zu erreichen sein.
  - Steckdosen und Verlängerungsleitungen nicht überlasten. Eine Überlastung kann zu Brandgefahr bzw. Stromschlag führen.
  - Geräte der Schutzklasse 1 sind an eine Netzsteckdose mit Schutzleiter anzuschließen.
  - Geräte der Schutzklasse 2 benötigen keinen Schutzleiteranschluss.
  - Halten Sie den Netzstecker in der Hand, wenn Sie ihn aus der Netzsteckdose ziehen. Ziehen Sie ihn nicht durch Zerren am Kabel heraus. Das kann zu einem Kurzschluss führen.
  - Verwenden Sie weder ein beschädigtes Netzkabel noch einen beschädigten Stecker oder eine lockere Steckdose. Es besteht Brand- und Stromschlaggefahr.
28. Wenn das Produkt mit einer Fernbedienung mit Batterien/Knopfzellen geliefert wird oder das Produkt eine derartige Fernbedienung umfasst:
 

Warnung:

  - „Die Batterie nicht einnehmen, er besteht Verätzungsgefahr“.
  - [Bei mitgelieferter Fernbedienung] Wenn die Batterie/Knopfzelle verschluckt wird, dann kann dies in nur 2 Stunden zu schweren inneren Verätzungen führen, die zum Tod führen können.
  - Halten Sie neue und gebrauchte Batterien von Kindern fern.
  - Verwenden Sie dieses Produkt nicht weiter und halten Sie es von Kindern fern, wenn das Batteriefach nicht sicher schließt.

- Suchen Sie umgehend ärztliche Hilfe auf, wenn Sie vermuten, dass Batterien verschluckt oder in Körperöffnungen eingeführt wurden.
29. Warnhinweise bzgl. der Verwendung von Batterien:
- Es besteht Explosionsgefahr, wenn die Batterien nicht korrekt eingelegt werden. Nur mit Batterien des gleichen oder entsprechenden Typs ersetzen.
  - Die Batterie darf während der Benutzung, Aufbewahrung oder des Transports weder sehr hohen oder sehr niedrigen Temperaturen noch niedrigem Luftdruck in großen Höhenlagen ausgesetzt werden.
  - Die Ersetzung der Batterie mit einem falschen Batterietyp kann zum Explodieren der Batterie oder dem Auslaufen von entflammbarem Gas oder entflammbarer Flüssigkeit aus der Batterie führen.
  - Die Entsorgung der Batterie in Feuer oder einem heißen Ofen oder das mechanische Zerkleinern oder Zerteilen der Batterie kann zu Explosionen führen.
  - Das Verbleiben der Batterie in einer Umgebung mit sehr hohen Temperaturen kann zum Explodieren der Batterie oder dem Auslaufen von entflammbarem Gas oder entflammbarer Flüssigkeit führen.
  - Eine in einem sehr niedrigen Luftdruck ausgesetzte Batterie kann explodieren oder es kann aus einer in einem sehr niedrigen Luftdruck ausgesetzten Batterie entflammbares Gas oder entflammbare Flüssigkeit auslaufen.
  - Augenmerk ist auf den ökologischen Aspekt der Batterieentsorgung zu legen.

#### **ANSCHLUSS**

- Packen Sie alle Teile aus und entfernen Sie danach die Schutzmaterialien.
- Schließen Sie das Gerät nicht eher an das Netz an, bevor Sie die Netzspannung überprüft haben und alle anderen notwendigen Verbindungen hergestellt sind.

**\* Diese Anleitung gilt nur für Produkte, die über ein Netzkabel oder einen Netzadapter verfügen.**

## Daten des Netzadapters

Netzteiladapter

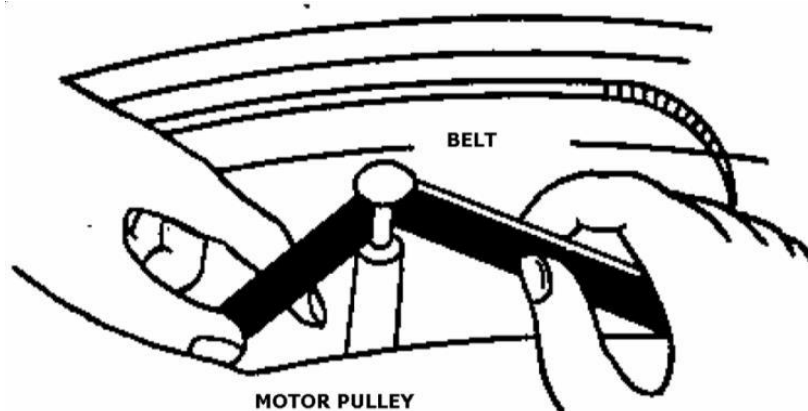
- Hersteller: Blue Iron
- Modellnummer: BI12T-120100-I
- Adaptertyp: Externes Steckernetzteil
- Verwenden Sie nur die im Handbuch angegebene Stromversorgung

## Zusammenbau

### Antriebsriemen:

Der Riemen und der Plattenteller wurden werksseitig ordnungsgemäß installiert, aber der Riemen kann sich beim Transport lockern. Falls dies der Fall ist, führen Sie mit folgenden Verfahren die Installation des Riemens selbst durch.

- Entfernen Sie die Gummimatte vom Plattenteller und den E-Ring von der Plattentellerwelle. Ziehen Sie anschließend den Plattenteller von der Welle.
- Legen Sie den Antriebsriemen auf den Innenrand des Plattentellers und ziehen Sie ihn durch das Loch.
- Halten Sie den Riemen mit den Fingern und legen Sie den Riemen auf die Motorantriebswelle, wie in der Abbildung dargestellt.



EN	DE
<b>BELT</b>	<b>RIEMEN</b>
<b>MOTOR PULLEY</b>	<b>MOTORANTRIEBSWELLE</b>

- Stecken Sie den E-Ring auf die Welle und legen Sie die Gummimatte auf den Plattenteller.

### Achtung:

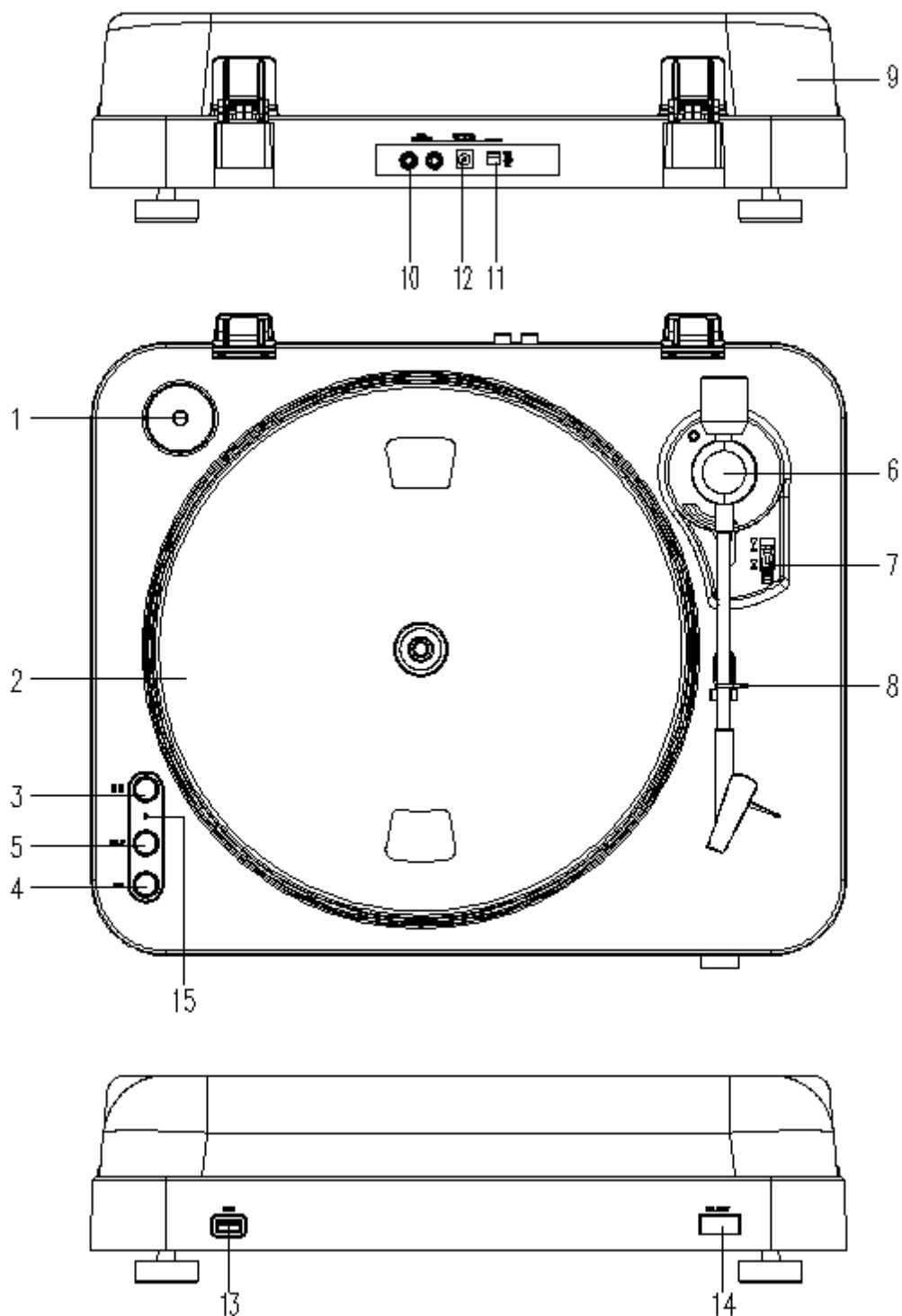
1. Achten Sie darauf, dass der Antriebsriemen nicht verdreht oder verzogen ist.
2. Vermeiden Sie Ölspritzer. Ölspritzer lassen den Gurt durchrutschen.

Automatische Tonarmrückkehr zurücksetzen:

Wenn Sie dieses Produkt umgesetzt haben, führen Sie stets das Zurücksetzen der automatischen Tonarmrückkehr durch. Der Mechanismus der automatischen Rückkehr dreht sich bei Umsetzen unregelmäßig und das führt zu einer Störung der automatischen Tonarmrückkehr. Mit den folgenden Schritten wird der Mechanismus auf die normale Funktion zurückgesetzt.

1. Legen Sie eine Schallplatte auf den Plattenteller und geben Sie sie wieder.
2. Heben Sie den Tonarm mit dem Tonarmlift manuell an und senken Sie im leeren Bereich am Ende der Schallplatte ab.
3. Der Mechanismus der automatischen Rückkehrfunktion wird ordnungsgemäß eingestellt und der Tonarm kehrt automatisch zur Tonarmstütze zurück.

### Beschreibung



#### **1. Adapter:**

Verwenden Sie diesen Adapter zum Abspielen von Schallplatten mit einer Drehzahl von 45 U/min.

**2. Plattenteller:** Platzieren Sie hier eine Schallplatte zum Abspielen.

#### **3. 33/45-U/min-Umschalter:**

Stellen Sie für die Wiedergabe einer Schallplatte mit der richtigen Geschwindigkeit 33 oder 45 U/min ein.

#### **4. REC:**

Rufen Sie mit der Taste den Aufnahmemodus auf.

#### **5. SPLIT/KOPPELN (BLUETOOTH)**

Split-Funktion: Hält die aktuelle Aufnahme an, erzeugen manuell eine Aufnahme-Datei und macht anschließend mit der Aufnahme des nächsten Titels weiter.

Kopplungsfunktion: Drücken Sie diese Taste, bis die LED-Anzeige blau blinkt und versetzen Sie anschließend Ihren Bluetooth-Lautsprecher oder -Kopfhörer in den Kopplungsmodus. Anschließend stellt der Plattenspieler automatisch eine Verbindung mit dem Bluetooth-Lautsprecher oder -Kopfhörer her. Die LED-Anzeige leuchtet dauerhaft blau, nachdem die Verbindung hergestellt wurde. Die drahtlose Musikwiedergabe kann beginnen. Sie können das drahtlose Streamen von Musik nun starten!

Drücken Sie diese Taste, bis die LED-Anzeige beginnt blau zu blinken. Die Bluetooth-Verbindung wurde getrennt.

Anmerkung: Wenn Sie versuchen, den Plattenspieler zu koppeln, beenden Sie besser die Bluetooth-Funktion anderer Bluetooth-Produkte innerhalb eines Bereichs von 10 Metern, die Sie nicht koppeln möchten.

#### **6. Tonarmhalterung**

#### **7. Tonarmlift:**

Hebt den Tonarm von der Platte und senkt ihn ab bzw. senkt ihn an einer anderen Stelle ab.

#### **8. Tonarmarretierung:**

Arretiert den Tonarm, wenn Sie das Gerät nicht verwenden oder transportieren.

#### **9. Staubschutzabdeckung:**

Schützt den Plattenspieler vor Staub. Die Abdeckung kann während des Betriebs geöffnet oder entfernt werden, sie sollte aber geschlossen bleiben, wenn der Plattenspieler nicht verwendet wird.

#### **10. Cinch-Ausgangsbuchsen**

Verbinden Sie die Ausgangsbuchsen über ein Cinchkabel mit einem Mischpult oder einem Verstärker in Ihrem Audiosystem.

#### **11. Ein/Aus-Schalter:**

Betätigen Sie diese Taste, um den Plattenspieler ein- bzw. auszuschalten. Schalten Sie das Gerät nach Abschluss der Wiedergabe aus, um Energie zu sparen.

#### **12. Netzteil**

Schließen Sie das Steckernetzteil an eine Steckdose mit der richtigen Netzspannung an.

#### **13. USB-Port:**

Schließen Sie für die Musikaufnahme von einer Schallplatte einen USB-Stick an.

\* Der Port ist nur für USB-Flash-Laufwerke geeignet. Um eine unzureichende Stromversorgung und überhitzte Elektronik zu vermeiden, verwenden Sie bei Gebrauch einer Festplatte stets ein externes Netzteil.



#### **14. Abbrechen**

Lässt den Tonarm direkt zur Tonarmstütze zurückkehren.

#### **15. LED**

- USB-Aufnahmevorgang und LED-Statusanzeige.
- USB-Speichergerät wurde nicht angeschlossen. -> die LED leuchtet nicht.
- USB-Speichergerät wurde angeschlossen -> die LED blinkt.
- Das System ist aufnahmebereit. -> die LED leuchtet.
- Starten Sie die Aufnahme mit der REC-Taste. -> die LED blinkt langsam.
- Drücken Sie die SPLIT-Taste, um ein neue Aufnahme datei zu erstellen.
- Drücken Sie zum Abbrechen der Aufnahme erneut die REC-Taste. -> die LED blinkt für kurze Zeit und leuchtet dann wieder.

Hinweis: Wenn die LED blinkt, entfernen Sie nicht das USB-Speichergerät.

#### **Stromversorgung**

Stellen Sie sicher, dass die Betriebsspannung des Geräts mit der Netzspannung in Ihrem Haushalt übereinstimmt. Das Gerät kann an seinem Standort jetzt an eine korrekte Spannung angeschlossen werden.

#### **Anschluss einen Verstärker**

Verbinden Sie die Ausgangsbuchsen (10) über ein Cinchkabel mit den AUX-Eingangsbuchsen Ihres Verstärkers:

- Den roten Stecker in den R-Kanaleingang.
- Den weißen Stecker in den L-Kanaleingang.
- Legen Sie die gewünschte Schallplatte auf den Plattenteller. Vergessen Sie bei einer Platte mit 45 U/min nicht den Adapter (1) auf dem Plattenstift.
- Stellen Sie die gewünschte Drehzahl ein:  
33 U/min -> Taste nicht gedrückt.  
45 U/min -> Taste gedrückt.
- Lösen Sie die Arretierung des Tonarmes.
- Platzieren Sie den Nadelträger senkrecht über der ersten Spur der Schallplatte. Der Plattenteller beginnt sich zu drehen.
- Wenn die Aufnahme beendet ist, kehrt der Tonarm wieder zu seiner Stütze zurück und der Plattenteller hört auf sich zu drehen.

Achten Sie darauf, dass sich der Tonarmlift sich in der abgesenkten Position befindet. Arretieren Sie den Tonarm mit der Klammer, um ihn zu sichern.

#### **Technische Daten**

Versorgungsspannung: 100-240 VAC, 60/50 Hz

Leistungsaufnahme: 12 W

Gleichaufschwankungen: 0,3

Verzerrung: 3%~4%

Rauschabstand: 50 dB

Audio-Ausgangsspannung: 500 mV  $\pm$ 200 mV

### \* WICHTIGE EMPFEHLUNGEN

Wir empfehlen Ihnen, dass Sie für ein dauerhaftes und maximales Musikerlebnis Ihre Schallplatten mit einem Tuch reinigen, das mit einem antistatischen Produkt imprägniert wurde. Wir möchten Sie aus selben Grund darauf hinweisen, dass Ihre Tonabnehmernadel regelmäßig (ungefähr alle 250 Stunden) gewechselt werden sollten.

Entfernen Sie von Zeit zu Zeit mit einem sehr weichen Pinsel, der in Alkohol getaucht wurde, den Staub von der Tonabnehmernadel (vom hinteren Teil des Tonabnehmers zum vorderen Teil des Tonabnehmers streichen).

### Garantie

Lenco bietet Leistungen und Garantien im Einklang mit Europäischem Recht. Im Falle von Reparaturen (sowohl während als auch nach Ablauf der Garantiezeit) sollten Sie deshalb Ihren Einzelhändler kontaktieren.

Wichtiger Hinweis: Es ist nicht möglich, Geräte für Reparaturen direkt an Lenco zu schicken.

Wichtiger Hinweis: Falls dieses Gerät von einem nicht autorisierten Kundendienst geöffnet oder darauf zugegriffen wird, erlischt die Garantie.

Dieses Gerät ist nicht für professionelle Zwecke geeignet. Falls das Gerät für professionelle Zwecke eingesetzt wird, erlöschen alle Garantieverpflichtungen seitens des Herstellers.

### Haftungsausschluss

Aktualisierungen der Firmware und/oder Hardware-Komponenten werden regelmäßig durchgeführt. Daher können einige der Anweisungen, Spezifikationen und Abbildungen in dieser Dokumentation von Ihrer individuellen Situation abweichen. Alle in diesem Handbuch beschriebenen Elemente dienen nur zur Illustration und treffen auf Ihre individuelle Situation möglicherweise nicht zu. Aus der in diesem Handbuch getätigten Beschreibung können keine Rechtsansprüche oder Ansprüche geltend gemacht werden.

### Entsorgung des Altgeräts



Dieses Symbol zeigt an, dass das entsprechende Produkt oder dessen Batterie in Europa nicht mit dem normalen Hausmüll entsorgt werden darf. Um die ordnungsgemäße Abfallbehandlung des Produkts und dessen Batterie zu gewährleisten, müssen diese im Einklang mit allen anwendbaren örtlichen Vorschriften zur Entsorgung von Elektrogeräten und Batterien entsorgt werden. Dabei helfen Sie, natürliche Ressourcen zu schonen und Umweltschutzstandards zur Verwertung und Entsorgung von Altgeräten aufrecht zu halten (Waste Electrical and Electronic Equipment Directive).

### CE-Kennzeichen

Hiermit erklärt Lenco Benelux B.V., Thermiekstraat 1a, 6361 HB Nuth, The Netherlands, dass dieses Produkt den grundsätzlichen Anforderungen der EU-Richtlinie entspricht. Die Konformitätserklärung ist erhältlich unter [techdoc@commaxxgroup.com](mailto:techdoc@commaxxgroup.com)



**Service**

Weitere Informationen und Unterstützung erhalten Sie unter [www.lenco.com](http://www.lenco.com)

Lenco Benelux BV, Thermiekstraat 1a, 6361 HB, Die Niederlande.

**ATTENTION :**

L'utilisation de commandes ou de réglages ou l'exécution de procédures autres que celles spécifiées dans ce manuel peut entraîner une exposition à des rayonnements dangereux.

**PRÉCAUTIONS AVANT UTILISATION****GARDEZ CES INSTRUCTIONS À L'ESPRIT :**

1. Ne couvrez pas et n'obturez pas les ouvertures de ventilation. Lorsque vous placez l'appareil sur une étagère, laissez 5 cm (2") d'espace libre tout autour de l'appareil.
2. Installez-le conformément au mode d'emploi fourni.
3. Gardez l'appareil à l'écart des sources de chaleur telles que des radiateurs, appareils de chauffage, fours, bougies et autres produits générant de la chaleur ou une flamme nue. L'appareil ne peut être utilisé que dans des climats tempérés. Il faut éviter les environnements extrêmement froids ou chauds. Température de fonctionnement entre 0 et 35 °C.
4. Évitez d'utiliser l'appareil à proximité de champs magnétiques puissants.
5. Des décharges électrostatiques peuvent perturber le fonctionnement de cet appareil. Dans ce cas, il suffit de réinitialiser et de redémarrer l'appareil en suivant le mode d'emploi. Pendant le transfert de fichiers, manipulez l'appareil avec précaution et faites-le fonctionner dans un environnement sans électricité statique.
6. Mise en garde ! N'introduisez jamais un objet dans l'appareil par les ouvertures et les fentes de ventilation. Étant donné que des tensions élevées sont présentes à l'intérieur du produit, l'insertion d'un objet peut entraîner une électrocution et/ou court-circuiter les composants internes. Pour les mêmes raisons, ne versez pas de l'eau ou un liquide sur le produit.
7. Ne l'utilisez pas dans des endroits humides tels qu'une salle de bain, une cuisine pleine de vapeur ou à proximité d'une piscine.
8. L'appareil ne doit pas être exposé à des écoulements ou des éclaboussures et aucun objet contenant un liquide, tel qu'un vase, ne doit être posé sur ou près de l'appareil.
9. N'utilisez pas cet appareil lorsque de la condensation est possible. Lorsque l'appareil est utilisé dans une pièce chaude et humide, des gouttelettes d'eau ou de la condensation peuvent se produire à l'intérieur de l'appareil et celui-ci pourrait ne pas fonctionner correctement ; laissez-le l'appareil éteint pendant 1 ou 2 heures avant de le rallumer : l'appareil doit être sec avant d'être mis sous tension.
10. Bien que ce dispositif soit fabriqué avec le plus grand soin et contrôlé à plusieurs reprises avant de quitter l'usine, des problèmes peuvent néanmoins survenir, comme avec tous les appareils électriques. Si l'appareil émet de la fumée ou en cas d'accumulation excessive de la chaleur ou d'un phénomène inattendu, débranchez immédiatement la fiche d'alimentation du secteur.
11. Cet appareil doit fonctionner avec la source d'alimentation indiquée sur la plaque signalétique. Si vous n'êtes pas sûr du type d'alimentation utilisé chez vous, contactez votre revendeur ou le fournisseur local d'électricité.
12. Tenez l'appareil à l'abri des rongeurs. Les rongeurs aiment mordre les cordons d'alimentation.
13. Pour nettoyer l'appareil, servez-vous d'un chiffon doux et sec. N'utilisez pas de solvant ni d'autre liquide à base de pétrole. Pour enlever les taches importantes, vous pouvez vous servir d'un chiffon humide imbibé d'une solution de détergent diluée.
14. Le fournisseur n'est pas responsable des dommages ou pertes de données causés par un dysfonctionnement, une utilisation abusive, une modification de l'appareil ou un remplacement de la batterie.
15. N'interrompez pas la connexion lorsque l'appareil formate ou transfère des fichiers. Dans le cas contraire, les données pourraient être endommagées ou perdues.
16. Si l'appareil a une fonction de lecture USB, il convient de brancher la clé USB directement sur l'appareil. N'utilisez pas de rallonge USB, car cela peut causer des interférences provoquant une perte de données.
17. La plaque signalétique se situe en dessous ou à l'arrière de l'appareil.
18. Cet appareil ne doit pas être utilisé par des personnes (enfants compris) souffrant de handicaps physiques, sensoriels ou mentaux, ou manquant d'expérience et de connaissances, sauf si elles

- sont sous surveillance ou ont reçu des instructions sur l'utilisation correcte de l'appareil par la personne qui est responsable de leur sécurité.
19. Ce produit est conçu pour un usage non professionnel, et non commercial ou industriel.
  20. Vérifiez que l'appareil est en position stable. La garantie ne couvre pas les dégâts occasionnés par des vibrations, par des chocs, par l'utilisation de cet appareil en position instable ou par la non-observation de tout autre avertissement ou précaution contenus dans ce mode d'emploi.
  21. Ne retirez jamais le boîtier de l'appareil.
  22. Ne placez jamais cet appareil sur un autre appareil électrique.
  23. Ne laissez pas les sacs en plastique à la portée des enfants.
  24. Utilisez uniquement les accessoires recommandés par le fabricant.
  25. Confiez l'entretien et les réparations à un personnel qualifié. Une réparation est nécessaire lorsque l'appareil a été endommagé de quelque façon que ce soit, par exemple lorsque le cordon d'alimentation ou la prise sont endommagés, lorsqu'un liquide s'est déversé ou des objets ont été introduits dans l'appareil, lorsque l'appareil a été exposé à la pluie ou à l'humidité, lorsqu'il ne fonctionne pas correctement ou est tombé.
  26. Une exposition prolongée à la musique avec un volume élevé peut entraîner une perte auditive temporaire ou permanente.
  27. Si le produit est livré avec un câble d'alimentation ou un adaptateur secteur :
    - Au moindre problème, débranchez le cordon d'alimentation et adressez-vous à un technicien qualifié.
    - Pour que l'alimentation soit parfaitement déconnectée, la fiche d'alimentation de l'appareil doit être débranchée de la prise secteur.
    - Ne marchez pas sur l'adaptateur secteur ou ne le coincez pas. Faites très attention, en particulier à proximité des fiches et du point de sortie du câble. Ne placez pas d'objets lourds sur l'adaptateur secteur, car ils pourraient l'endommager. Gardez l'appareil hors de portée des enfants ! Ils pourraient se blesser gravement s'ils jouent avec le câble d'alimentation.
    - Débranchez cet appareil pendant les orages ou lorsqu'il n'est pas utilisé pendant une longue durée.
    - La prise secteur doit être installée près de l'appareil et doit être facilement accessible.
    - Ne surchargez pas les prises de courant ou les rallonges. Une surcharge peut entraîner un incendie ou une électrocution.
    - Les appareils de classe 1 doivent être branchés à une prise de courant disposant d'une connexion protectrice à la terre.
    - Les appareils de classe 2 ne nécessitent pas de connexion à la terre.
    - Tirez toujours sur la fiche pour débrancher le cordon de la prise secteur. Ne tirez pas sur le cordon d'alimentation. Cela pourrait provoquer un court-circuit.
    - N'utilisez pas un cordon ou une fiche d'alimentation endommagé ni une prise desserrée. Vous courez un risque d'incendie ou de décharge électrique.
  28. Si le produit contient ou est livré avec une télécommande contenant des piles boutons :

Avertissement :

    - « N'ingérez pas la pile, car vous risquez une brûlure chimique » ou une formule équivalente.
    - [Quand la télécommande est fournie]L'ingestion d'une pile bouton peut causer de graves brûlures internes en seulement 2 heures et causer la mort.
    - Tenez les piles neuves et usagées hors de portée des enfants.
    - Si le compartiment à piles ne se ferme pas correctement, cessez d'utiliser l'appareil et tenez-le hors de portée des enfants.
    - Si vous pensez que les piles ont été avalées ou placées à l'intérieur d'une partie du corps, consultez un médecin immédiatement.
  29. Mise en garde concernant l'utilisation des batteries :
    - Risque d'explosion si la pile est mal remplacée. Remplacez les piles par des piles d'un type identique ou équivalent.
    - La batterie ne peut pas être soumise à des températures extrêmes élevées ou basses, à une faible pression d'air à haute altitude pendant l'utilisation, le stockage ou le transport.
    - Remplacement d'une batterie d'un type incorrect qui peut entraîner une explosion ou une fuite de liquide ou de gaz inflammable.

- Élimination d'une batterie dans un feu ou un four chaud, ou broyage ou découpe mécanique d'une batterie, qui peut entraîner une explosion.
- Le fait de laisser une batterie dans un environnement extrêmement chaud qui peut entraîner une explosion ou une fuite de liquide ou de gaz inflammable.
- Batterie soumise à une pression d'air extrêmement basse qui peut entraîner une explosion ou une fuite de liquide ou de gaz inflammable.
- Veuillez considérer les questions environnementales lors de la mise au rebut des piles.

#### **INSTALLATION**

- Déballez toutes les pièces et enlevez le matériau de protection.
- Ne connectez pas l'unité au secteur avant d'avoir vérifié la tension du secteur et avant que toutes les autres connexions n'aient été effectuées.

\* **ces instructions s'appliquent uniquement aux produits utilisant un câble d'alimentation ou un adaptateur secteur.**

## Informations concernant l'adaptateur d'alimentation

Adaptateur de puissance

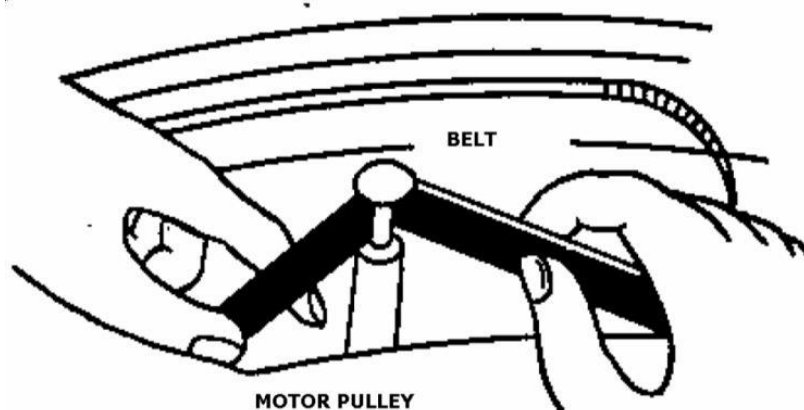
- Fabricant : Blue Iron
- Numéro du modèle : BI12T-120100-I
- Type d'adaptateur : Adaptateur externe AC
- Utilisez uniquement l'alimentation électrique indiquée dans le mode d'emploi

## Montage

### Courroie d'entraînement :

La courroie et le plateau du tourne-disque ont été correctement installés en usine, mais la courroie peut s'être détendue pendant le transport. Si c'est le cas, suivre les procédures pour installer la courroie vous-même.

- Retirer le tapis en caoutchouc du plateau du tourne-disque et l'anneau E de l'arbre du tourne-disque, puis dégager le plateau de l'arbre.
- Mettre la courroie sur le bord interne du plateau et le tirer dans le trou.
- Tenir la courroie avec les doigts et la placer sur la poulie de moteur comme indiqué dans le plan.



EN	FR
<b>BELT</b>	<b>COURROIE</b>
<b>MOTOR PULLEY</b>	<b>POULIE DE MOTEUR</b>

- Clipper l'anneau E sur l'arbre et placer le tapis en caoutchouc sur le plateau du tourne-disque.

### Attention :

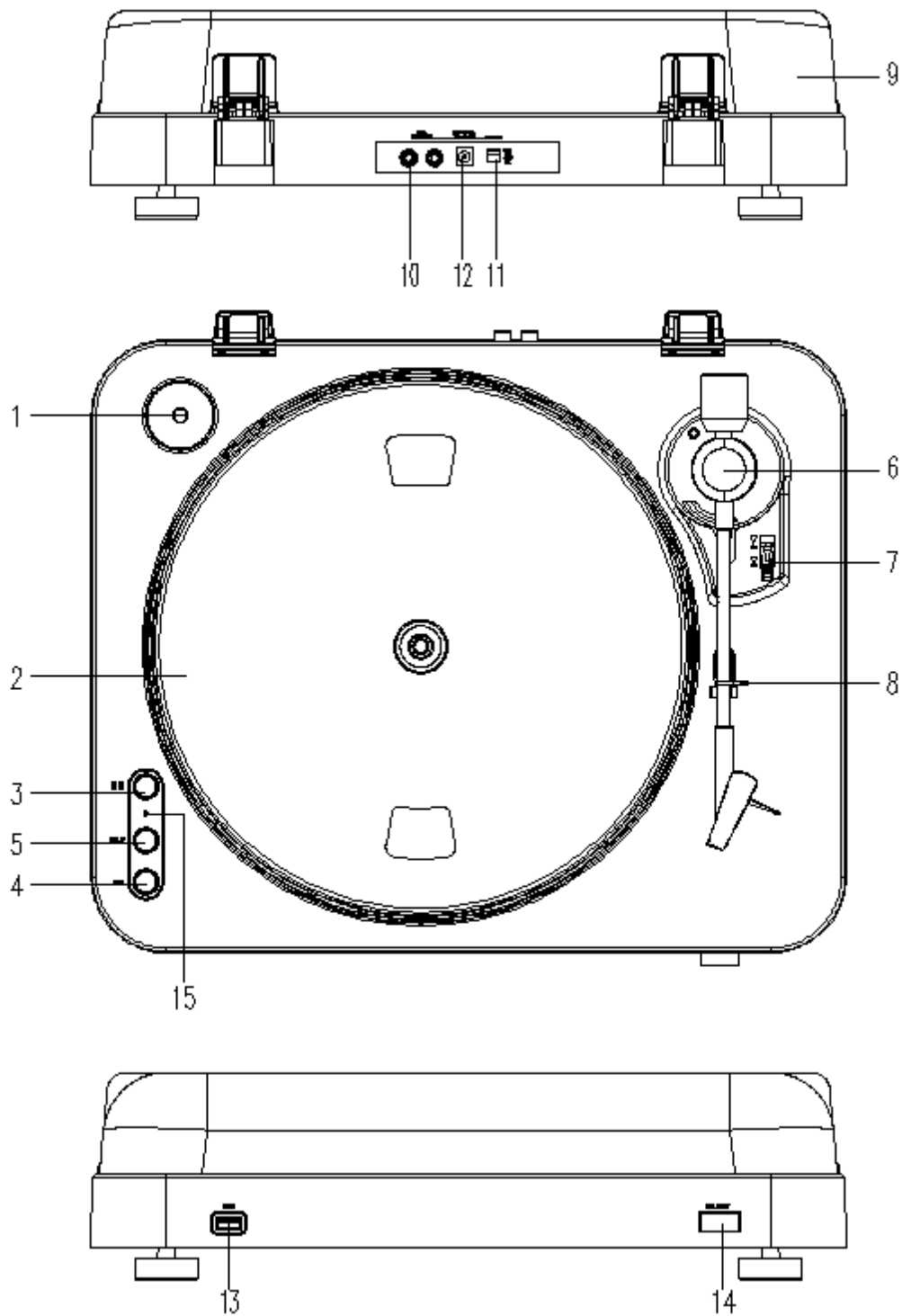
1. S'assurer que la courroie n'est pas tordue ou vrillée.
2. Eviter l'huile. Les éclaboussures d'huile feront glisser la courroie.

### Réinitialisation du retour automatique :

Toujours réinitialiser le retour automatique dès que vous avez déplacé ce produit. Le mécanisme de retour automatique tourne irrégulièrement pendant le déplacement et il entrainera un mauvais fonctionnement du retour automatique. Les étapes suivantes réinitialisent le mécanisme à la normale.

1. Placer un disque sur le plateau et le lire.
2. Lever manuellement le bras et le placer sur la partie lisse à la fin du disque.
3. le mécanisme de retour automatique s'ajustera correctement et le bras retournera automatiquement sur le support de bras.

### Description





**1. Adaptateur :**

Utiliser cet adaptateur pour lire des disques 45 tours.

**2. Plateau :** Placer un disque et lire.

**3. Commutateur 33 / 45 tours :**

Commuter sur 33 ou 45 tours pour lire le disque à la vitesse correcte.

**4. Enregistrement/Encodage MP3 :**

Appuyer dessus pour entrer en mode d'enregistrement.

**5. SPLIT/PAIR (BLUETOOTH)**

Fonction Split : Pour arrêter le disque en cours, former manuellement un fichier d'enregistrement puis aller sur le morceau suivant.

Fonction d'appairage : Appuyer sur ce bouton jusqu'à ce que la LED clignote, puis mettre votre haut-parleur ou les écouteurs Bluetooth en mode d'appairage. Puis ce tourne-disque se connecte avec le haut-parleur ou les écouteurs Bluetooth automatiquement et la LED est allumée en bleu quand la connexion est effectuée. La lecture sans fil peut commencer. Vous pouvez commencer à lire la musique sans fil !

Appuyer sur ce bouton jusqu'à ce que la LED clignote en bleu indiquant que la connexion Bluetooth est déconnectée.

Remarque : Quand vous appairez le tourne-disque, il vaut mieux fermer la fonction Bluetooth du produit dans les 10 mètres de ce que vous ne voulez plus appairer.

**6. Support de bras**

**7. Branche de levier de bras :**

Pour lever et baisser le bras et le placer à la bonne place sur un vinyl.

**8. Verrou de bras :**

Utiliser pour verrouiller le bras quand il n'est pas utilisé ou en cours de déplacement.

**9. Couvercle à poussière :**

L'utiliser pour protéger le tourne-disque de la poussière. Le couvercle peut être levé ou retiré pendant l'utilisation, mais doit rester fermé quand le tourne-disque n'est pas utilisé.

**10. Câble de sortie RCA**

Connecter le fil RCA hors du mixeur ou de l'amplificateur de votre sono.

**11. Interrupteur marche/arrêt :**

Cet interrupteur sert à allumer ou éteindre. Éteindre l'unité après avoir fini d'écouter pour économiser de l'énergie.

**12. Adaptateur de puissance**

Connecter cet adaptateur à une prise de courant AC de la bonne tension.

**13. Port d'entrée USB :**

Brancher un USB Pen drive pour enregistrer un disque.

\* La conception est uniquement pour USB Flash Drive. Pour éviter que l'alimentation électrique ne soit insuffisante et que le circuit (IC) du circuit ne surchauffe, toujours brancher sur une alimentation externe en utilisant un disque dur.

**14. Rejet**

Appuyer dessus pour forcer le bras à revenir directement sur son support.

**15. Voyant lumineux**

- Enregistrement USB et signal de LED.

- L'appareil de stockage USB n'est pas branché. -> La LED est éteinte
- L'appareil de stockage USB est branché -> La LED clignote
- Quand le système est prêt à enregistrer. -> La LED est allumée
- Appuyer sur REC pour commencer l'enregistrement. -> La LED clignote lentement.
- Appuyer sur SPLIT pour créer un nouveau fichier d'enregistrement.
- Appuyer à nouveau sur REC pour arrêter l'enregistrement. -> La LED clignote pendant un court instant, puis elle reste allumée.

Remarque : Ne pas retirer l'appareil USB d'enregistrement si la LED clignote.

#### **Branchement au secteur**

S'assurer que la tension de la maison correspond à celle de l'unité. Votre unité est prête à être connectée à une tension correcte chez vous.

#### **Branchement de l'amplificateur**

Connecter le câble RCA (10) à la prise AUX de votre amplificateur :

- La fiche rouge dans le canal R.
- La fiche blanche dans le canal L.
- Placer le disque de votre choix sur le tourne-disque. Si c'est un 45 tours, ne pas oublier de placer l'adaptateur (1) sur l'axe.
- Choisir la vitesse de lecture désirée :  
33 tours -> bouton déverrouillé  
45 tours -> bouton verrouillé.
- Relâchez la pince du bras de lecture.
- Placez la cartouche à la verticale sur la première piste du disque, puis le tourne-disque commence à tourner.
- Quand le disque est fini, le bras de lecture retourne sur son support, le tourne-disque arrête de tourner.

S'assurer que le levier de bras est en bas, fermer le verrou de bras pour le sécuriser.

#### **Caractéristiques techniques**

Alimentation électrique : 100-240 VAC 60/50Hz

Puissance consommée : 12 W

Fluctuations de vitesse : 0,3%

Distorsion : 3%~4%

N° de série : 50 dB

Tension de sortie audio : 500 mV  $\pm$ 200 mV

#### **\* RECOMMANDATIONS IMPORTANTES**

Nous vous recommandons de nettoyer les disques avec un tissu imprégné de produit antistatique pour que vous en profitiez au maximum et pour prolonger leur vie.

Remarque : pour les mêmes raisons votre tête de lecture doit être changée périodiquement (environ toutes les 250 heures).

Époussetez la tête de lecture de temps en temps grâce à une brosse très douce trempée dans de l'alcool (en brossant de l'arrière vers l'avant de la cartouche).

### **Garantie**

Lenco propose un entretien et une garantie conformément à la législation européenne, ce qui signifie qu'en cas de besoin de réparation (aussi bien pendant et après la période de garantie), vous pouvez contacter votre revendeur le plus proche.

Remarque importante : Il n'est pas possible de renvoyer l'appareil pour réparation directement à Lenco.

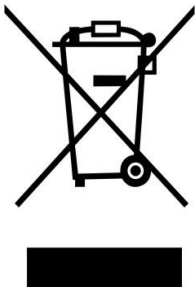
Remarque importante : Si l'unité est ouverte ou modifiée de quelque manière que ce soit par un réparateur non agréé, la garantie serait caduque.

Cet appareil ne convient pas à une utilisation professionnelle. En cas d'utilisation professionnelle, les obligations de garantie du fabricant seront annulées.

### **Clause de non responsabilité**

Des mises à jour du logiciel et/ou des composants informatiques sont régulièrement effectuées. Il se peut donc que certaines instructions, caractéristiques et images présentes dans ce document diffèrent légèrement de votre configuration spécifique. Tous les articles décrits dans ce guide le sont fournis uniquement à des fins d'illustration et peuvent ne pas s'appliquer à une configuration spécifique. Aucun droit légal ne peut être obtenu depuis les informations contenues dans ce manuel.

### **Mise au rebut de l'appareil usagé**



Ce symbole indique que l'équipement électrique concerné ou la batterie ne doivent pas être jetés parmi les autres déchets ménagers en Europe. Afin de garantir un traitement approprié de la batterie ou de l'appareil usagés, veuillez les mettre au rebut conformément à la réglementation locale en vigueur relative aux équipements électriques et autres batteries. En agissant de la sorte, vous contribuerez à la préservation des ressources naturelles et à l'amélioration des niveaux de protection environnementale concernant le traitement et la destruction des déchets électriques (Directive sur les déchets des équipements électriques et électroniques).

### **Marquage CE**

Par la présente, Lenco Benelux B.V., Thermiekstraat 1a, 6361 HB Nuth, Pays-Bas, déclare que ce produit est conforme aux exigences principales des directives européennes. La déclaration de conformité peut être consultée au lien : [techdoc@commaxxgroup.com](mailto:techdoc@commaxxgroup.com)



### **Service**

Pour en savoir plus et obtenir de l'assistance, visitez [www.lenco.com](http://www.lenco.com)  
Lenco Benelux BV, Thermiekstraat 1a, 6361 HB, The Netherlands.

**PRECAUCIÓN:**

El uso de los controles o ajustes o el funcionamiento de los procedimientos excepto a aquellos especificados aquí pueden provocar una exposición peligrosa a la radiación.

**PRECAUCIONES PREVIAS AL USO****TENGA ESTAS INSTRUCCIONES EN MENTE:**

1. No cubra o bloquee ninguna apertura de ventilación. Cuando coloque el dispositivo en una estantería, deje 5 cm (2") de espacio libre alrededor de todo el dispositivo.
2. Instálelo conforme al manual de usuario que se adjunta.
3. Mantenga el aparato alejado de fuentes de calor, como radiadores, calentadores, estufas, velas u otros productos que generen calor o llama viva. El aparato solo puede usarse en climas moderados. Se deben evitar los entornos extremadamente fríos o cálidos. La temperatura de funcionamiento debe estar entre 0° y 35° C.
4. Evite usar el dispositivo cerca de campos magnéticos fuertes.
5. Una descarga electrostática puede entorpecer el uso normal de este dispositivo. En tal caso, simplemente reinicielo siguiendo el manual de instrucciones. Durante la transmisión de archivos, por favor manéjelo con cuidado opérelolo en un entorno libre de electricidad estática.
6. ¡Advertencia! Nunca inserte un objeto en el producto a través de las ventilaciones o aperturas. Alto voltaje fluye a través del producto e insertar un objeto puede provocar una descarga eléctrica y/o un cortocircuito de sus componentes internos. Por el mismo motivo, no derrame agua o líquidos en el producto.
7. No lo utilice en zonas húmedas, como cuartos de baño, cocinas en las que se forme vapor ni cerca de piscinas.
8. El aparato no debe exponerse a goteos o salpicaduras y asegúrese de que ningún objeto lleno de líquido, como jarrones, se colocan sobre o cerca del aparato.
9. No use este dispositivo cuando se pueda producir condensación. Cuando la unidad se use en una habitación húmeda y cálida con humedad, se pueden producir gotitas de agua o condensación dentro de la unidad y puede que esta no funcione adecuadamente; deje la unidad apagada durante 1 o 2 horas antes de volver a encender la unidad: la unidad debe secarse antes de conectarla potencia alguna.
10. Aunque este dispositivo está fabricado con el máximo cuidado y comprobado varias veces antes de salir de fábrica, todavía es posible que se puedan producir problemas, al igual que con todos los aparatos eléctricos. Si observa la aparición de humo, una acumulación excesiva de calor o cualquier otro fenómeno inesperado, deberá desconectar inmediatamente el enchufe de la toma de corriente.
11. Este dispositivo debe funcionar con una fuente de alimentación que se especifica en la etiqueta de especificaciones. Si no está seguro del tipo de alimentación que se usa en su hogar, consulte con el distribuidor o una compañía eléctrica local.
12. Manténgalo alejado de los roedores. Los roedores disfrutan mordiendo cables de alimentación.
13. Para limpiar el dispositivo use un paño seco y suave. No utilice líquidos disolventes ni con base de petróleo. Para eliminar manchas difíciles, puede usar un paño húmedo con detergente diluido.
14. El proveedor no asume ninguna responsabilidad por daños o datos perdidos provocados por un funcionamiento incorrecto, uso incorrecto, modificación del dispositivo o sustitución de la batería.
15. No interrumpa la conexión cuando el dispositivo esté formateando o transfiriendo archivos. En caso contrario, los datos se pueden estropear o perder.
16. Si la unidad dispone de función de reproducción USB, se debe conectar la memoria USB directamente en la unidad. No utilice cables de extensión USB ya que pueden crear interferencias que causen una pérdida de datos.
17. La etiqueta identificativa aparece marcada en la parte inferior o en el trasero del aparato.
18. Este aparato no está diseñado para su uso por personas (incluyendo niños) con discapacidades físicas, sensoriales o mentales o con falta de experiencia o conocimientos, salvo que estén bajo

- la supervisión o hayan recibido formación sobre el uso correcto del dispositivo por parte de una persona responsable de su seguridad.
19. Este producto está diseñado para un uso no profesional únicamente y no para un uso comercial o industrial.
  20. Asegúrese de que la unidad esté fijada en una posición estable. La garantía no cubrirá aquellos daños causados por el uso de este producto en una posición inestable, por vibraciones o impactos o por no seguir las advertencias o precauciones que contiene este manual de usuario.
  21. No retire nunca la carcasa de este aparato.
  22. Nunca coloque el aparato sobre otro equipo eléctrico.
  23. Mantenga las bolsas de plástico fuera del alcance de los niños.
  24. Use únicamente los dispositivos/accesorios especificados por el fabricante.
  25. Remita todas las reparaciones al personal cualificado. La reparación es necesaria cuando el aparato presente cualquier tipo de daño, como el cable de alimentación o el enchufe, cuando se haya derramado líquido o hayan caído objetos sobre el aparato, o cuando el aparato se haya visto expuesto a la lluvia o humedad, o no funcione normalmente o se haya caído.
  26. La exposición prolongada a sonidos fuertes de reproductores personales de música puede provocar pérdida de audición temporal o permanente.
  27. Si el producto se entrega con cable de alimentación o adaptador de alimentación CA:
    - Si se produce cualquier problema, desconecte el cable de alimentación CA y remita el mantenimiento a personal de servicio cualificado.
    - Para desconectar completamente la entrada de alimentación, el enchufe del aparato deberá desconectarse de la alimentación, ya que el dispositivo de desconexión es el enchufe del aparato.
    - No pise o pince el adaptador de alimentación. Tenga mucho cuidado, en especial cerca de las tomas y el punto de salida del cable. No coloque objetos pesados en el adaptador de alimentación, ya que pueden dañarlo. ¡Mantenga el dispositivo fuera del alcance de los niños! Si juegan con el cable de alimentación, puede sufrir lesiones graves.
    - Desconecte el dispositivo durante tormentas eléctricas o cuando no vaya a usarse durante periodos prolongados de tiempo.
    - La salida de la toma debe instalarse cerca del equipo y debe ser fácilmente accesible.
    - No sobrecargue las tomas CA o los cables de extensión. La sobrecarga puede provocar un incendio o una descarga eléctrica.
    - Los dispositivos con construcción de Clase 1 deben estar conectados a una toma de corriente con una conexión a tierra protegida.
    - Los dispositivos con construcción Clase 2 no requieren una conexión a tierra.
    - Sujete siempre el enchufe cuando los extraiga de la toma de corriente. No tire del cable de alimentación. Esto puede provocar un cortocircuito.
    - No utilice un cable de alimentación o enchufe deteriorado o una toma suelta. Si lo hace, podría provocar un incendio o una descarga eléctrica.
  28. Si el producto contiene o se entrega con un mando a distancia que contiene pilas de botón / celdas:

Advertencia:

    - “Ni ingiera la pila, riesgo de quemadura química” o frase equivalente.
    - [El mando a distancia que se suministra con] Este producto contiene una pila de botón / celdas que si se ingiere puede causar graves quemaduras internas en solo 2 horas y puede provocar la muerte.
    - Mantenga las pilas nuevas o usadas fuera del alcance de los niños.
    - Si el compartimiento de la pila no se cierra correctamente, deje de usar el producto y no lo deje al alcance los niños.
    - Si tiene la sospecha de que una pila ha sido ingerida o se encuentra en algún lugar del cuerpo, busque inmediatamente atención médica.
  29. Precaución con el uso de las pilas:
    - Existe riesgo de explosión si la pila no se sustituye correctamente. Sustitúyala únicamente con otra del mismo tipo u otro equivalente.
    - La pila no debe estar sometida a temperatura extremadamente altas o bajas, una presión baja del aire a gran altitud durante su uso, almacenamiento o transporte.

- La sustitución de una pila por un tipo incorrecto puede provocar una explosión o la fuga de líquido o gas inflamable.
- La eliminación de la pila en un fuego o en un horno, o cortando o aplastando mecánicamente una pila, puede provocar una explosión.
- Dejar una pila en un entorno circundante con temperaturas extremadamente altas puede provocar una explosión o la fuga de líquido o gas inflamable.
- Una pila sometida a una presión del aire extremadamente baja puede provocar una explosión o la fuga de líquido o gas inflamable.
- Se debe prestar atención a los aspectos medioambientales sobre la eliminación de baterías.

#### **INSTALACIÓN**

- Desembale todas las piezas y retire el material protector.
- No conecte la unidad a la corriente eléctrica antes de comprobar la tensión de la corriente y antes de que se hayan hecho todas las demás conexiones.

**\* Estas instrucciones solo están relacionadas con productos que usen un cable de alimentación o un adaptador de corriente CA.**

## Información del adaptador de alimentación

Adaptador de alimentación

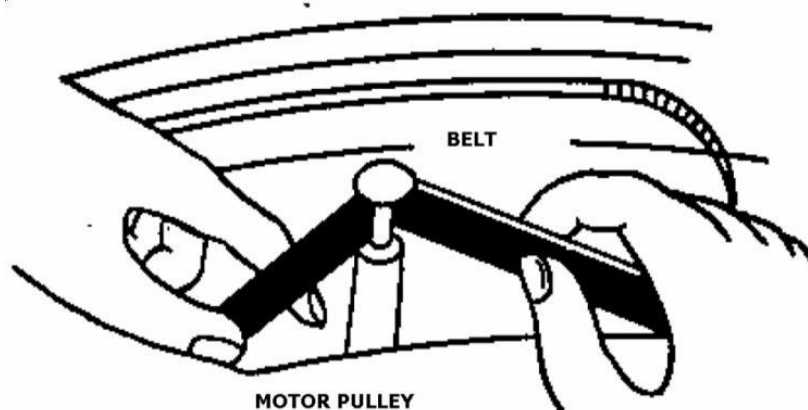
- Fabricante: Blue Iron
- Número de modelo: BI12T-120100-I
- Tipo de adaptador: Adaptador CA externo
- Utilice únicamente la fuente de alimentación indicada en las instrucciones de uso

## Montaje

### Correa:

La correa y el plato se han instalado debidamente en fábrica, pero la correa puede aflojarse durante el transporte. En tal caso, se deben seguir los siguientes procedimientos para que usted mismo instale la correa.

- Retire la cubierta de goma del plato del tocadiscos y el anillo en E del eje del tocadiscos, y posteriormente, suelte el plato del tocadiscos del eje
- Coloque la correa en el borde interno del plato del tocadiscos y tire de ella hacia el agujero.
- Sujete la correa con los dedos y coloque la correa en la polea del motor tal y como se muestra en el dibujo.



EN	ES
<b>BELT</b>	<b>CORREA</b>
<b>MOTOR PULLEY</b>	<b>POLEA DEL MOTOR</b>

- Sujete el anillo en E en el eje y coloque la cubierta del goma en el plato del tocadiscos.

### Precaución:

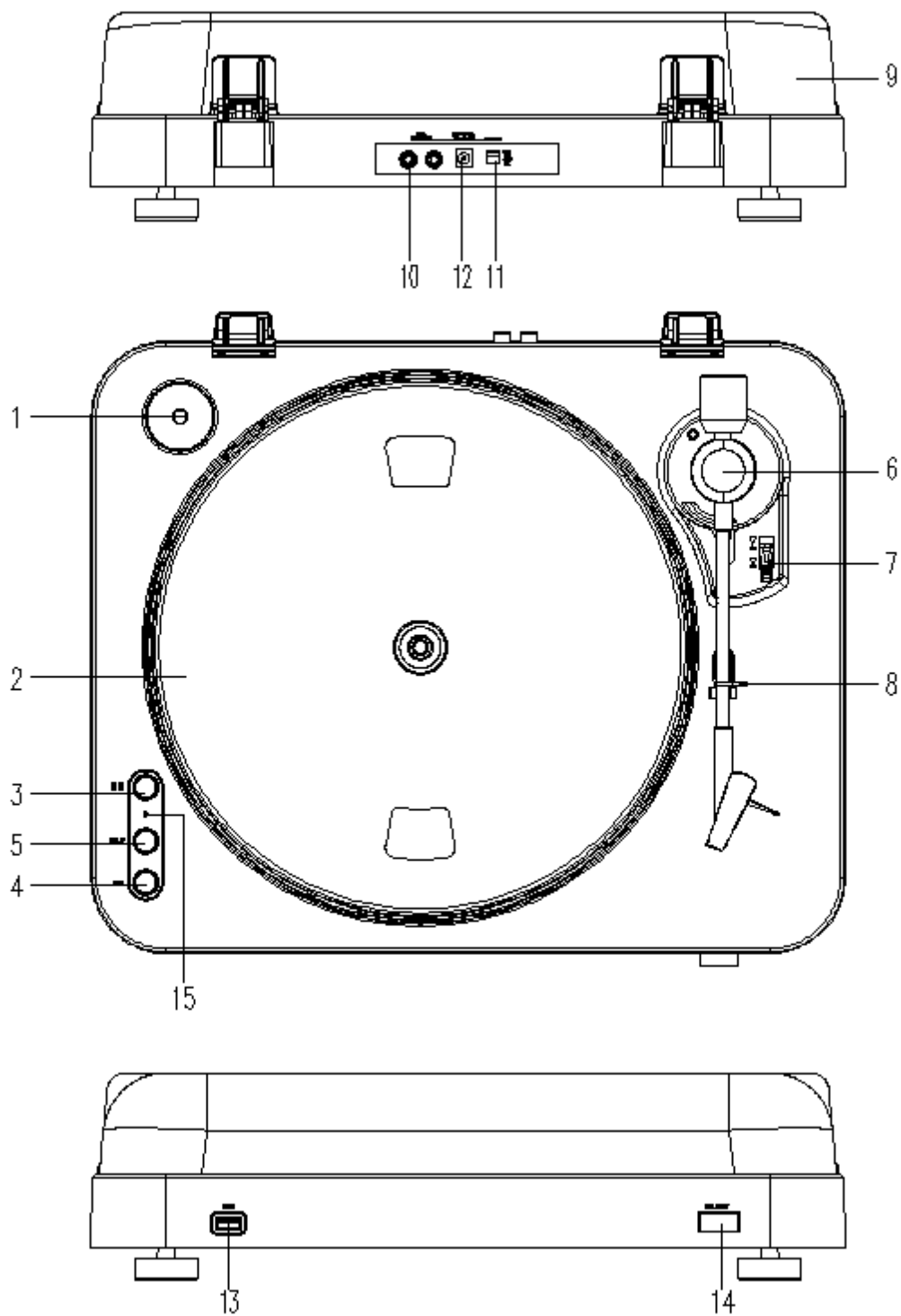
1. Asegúrese de que la correa no está doblada o deformada.
2. Evite el aceite. Las salpicaduras de aceite harán que la correa esté resbaladiza.

Reinicio con vuelta automática:

Haga siempre el reinicio de la vuelta automática una vez que traslade el producto. El mecanismo de vuelta automática girará de forma irregular cuando lo traslade y provocará un funcionamiento incorrecto de la vuelta automática. Se deben reiniciar los siguientes mecanismos para que funcione normalmente.

1. Coloque un disco en el plato y reproduzca.
2. Baje manualmente el brazo y colóquelo sobre la parte vacía del final del disco.
3. El mecanismo de la función de vuelta automática se ajustará debidamente y el brazo volverá automáticamente a su soporte.

### Descripción





**1. Adaptador:**

Use este adaptador cuando reproduzca discos de 45 RPM.

**2. Plato:** Coloque aquí el disco para reproducirlo.

**3. Interruptor de 33/45 rpm:**

Cambia a 33 o 45 rpm para reproducir un disco a la velocidad correcta.

**4. Grabacion en MP3:**

Púselo para entrar en el modo de grabación.

**5. DIVIDIR/EMPAREJAR (BLUETOOTH)**

Función de división: Para detener la grabación actual, crear un archivo de disco manualmente y después continuar grabando la siguiente pista.

Función emparejar: Pulse este botón hasta que el indicador LED empiece a parpadear de color azul; posteriormente, coloque su altavoz Bluetooth o auricular en modo emparejamiento. Este tocadiscos se conectará con el altavoz o auricular Bluetooth de forma automática y el indicador LED estará de color azul sin parpadear una vez que se realice la conexión. Se podrá iniciar la reproducción de la música inalámbrica. Puede iniciar la reproducción de música sin cables.

Pulse este botón hasta que el indicador LED pase a color azul parpadeando y se desconecte la conexión Bluetooth.

Observaciones: Cuando intente emparejar el tocadiscos, cierre mejor la función Bluetooth de los productos Bluetooth situados a 10 metros y que no desee emparejar.

**6. Soporte del brazo del tocadiscos**

**7. Palanca de levantamiento del brazo del tocadiscos:**

Para subir o bajar el brazo del tocadiscos y colocarlo en el lugar adecuados del vinilo.

**8. Bloqueo del brazo del tocadiscos:**

Use este para bloquear el brazo del tocadiscos cuando no esté en uso o para transportarlo.

**9. Cubierta para el polvo:**

Úsela para proteger el tocadiscos de la exposición al polvo. La cubierta puede abrirse i retirarse durante el uso, pero debe permanecer cerrada cuando el tocadiscos no está en uso.

**10. Cable de salida de línea RCA**

Conecte la salida de línea RCA a un mezclador o amplificador en su sistema de sonido.

**11. Interruptor de encendido:**

Para encenderlo a apagarlo mediante este interruptor. Apague la unidad tras finalizar la reproducción para ahorrar energía.

**12. Adaptador de corriente**

Conecte este adaptador a una toma CA de la tensión adecuada.

**13. Entrada de puerto USB:**

Conecte una unidad USB para grabar música desde un disco.

\* El diseño es únicamente para unidades USB. Para evitar que la alimentación no sea suficiente y el sobrecalentamiento del circuito (IC), siempre tenga una alimentación externa si usa una unidad de disco duro.

**14. Rechazo**

Púselo para obligar al brazo a volver directamente a su soporte.

**15. LED**

- Funcionamiento de la grabación USB e indicación de señal LED

- El dispositivo de almacenamiento USB no está conectado. -> La luz LED está apagada
- El dispositivo de almacenamiento USB está conectado -> La luz LED parpadea
- Cuando el sistema está listo para grabar. -> La luz LED está encendida
- Pulse el botón REC para iniciar la grabación. -> La luz LED parpadea lentamente.
- Pulse el botón SPLIT para crear un nuevo archivo en la grabación.
- Vuelva a pulsar el botón REC para detener la grabación. -> La luz LED parpadea durante un periodo corto de tiempo y después se vuelve a encender la luz LED.

Nota: No retire el dispositivo de almacenamiento USB si la luz LED parpadea.

### **Conexión a la corriente eléctrica**

Asegúrese de que la tensión de su hogar se corresponde con la tensión operativa de la unidad. La unidad está lista para conectarse a la tensión correcta de su ubicación.

### **Conexión del amplificador**

Conecte el cable de salida de línea RCA (10) a la entrada AUX del amplificador:

- La toma roja en la entrada del canal R.
- La toma blanca en la entrada del canal L.
- Coloque el disco que desee en el tocadiscos. Si se trata de un disco de 45 rpm, no olvide colocar el adaptador (1) en el eje del disco.
- Elija la velocidad de reproducción que desee:

33 rpm -> botón desbloqueado

45 rpm-> botón bloqueado.

- Libere la sujeción del brazo del tocadiscos.
- Coloque la cápsula verticalmente sobre la primera pista del disco; el tocadiscos empieza a girar.
- Cuando el disco haya finalizado, el brazo del tocadiscos vuelve a su soporte y el tocadiscos deja de girar.

Tenga cuidado de que la palanca de levantamiento del tocadiscos se quede en la posición abajo y cierre el bloqueo del brazo del tocadiscos para asegurar el brazo.

### **Especificaciones Técnicas**

Alimentación: CA100-240 60/50HZ

Consumo de energía: 12 W

Distorsión por variación de velocidad: 0.3%

Distorsión: 3%~4%

S/R: 50 dB

Tensión de salida de audio: 500mV  $\pm$ 200mV

USB: 5V/188 mA

### **\* RECOMENDACIONES IMPORTANTES**

Le aconsejamos limpiar sus discos con un paño impregnado en un producto antiestático para disfrutar al máximo de su música y hacer que los discos duren más tiempo.

Asimismo nos gustaría apuntar que por los mismos motivos la aguja debe sustituirse periódicamente (aproximadamente cada 250 horas).

Quite el polvo a la aguja cada cierto tiempo usando un cepillo muy suave impregnado de alcohol (cepillando de atrás hacia delante del cartucho).

### **Garantía**

Lenco ofrece servicio y garantía en cumplimiento con las leyes de la Unión Europea, lo cual implica que, en caso de que su producto precise ser reparado (tanto durante como después del periodo de garantía), deberá contactar directamente con su distribuidor.

Nota importante: No es posible enviar sus reparaciones directamente a Lenco.

Nota importante: Si la unidad es abierta por un centro de servicio no oficial, la garantía quedará anulada.

Este aparato no es adecuado para el uso profesional. En caso de darle un uso profesional, todas las obligaciones de garantía del fabricante quedarán anuladas.

### **Exención de responsabilidad**

Regularmente se llevan a cabo actualizaciones en el Firmware y en los componentes del hardware. Por esta razón, algunas de las instrucciones, especificaciones e imágenes incluidas en este documento pueden diferir ligeramente respecto a su situación particular. Todos los elementos descritos en esta guía tienen un objetivo de mera ilustración, y pueden no ser de aplicación en su situación particular. No se puede obtener ningún derecho ni derecho legal a partir de la descripción hecha en este manual.

### **Eliminación del antiguo dispositivo**



Este símbolo indica que no deberá deshacerse del producto eléctrico o batería en cuestión junto con los residuos domésticos, en el ámbito de la UE. Para garantizar un tratamiento residual correcto del producto y su batería, por favor, elimínelos cumpliendo con las leyes locales aplicables sobre requisitos para el desecho de equipos eléctricos y baterías. De hacerlo, ayudará a conservar recursos naturales y mejorar los estándares de protección medioambiental en el tratamiento y eliminación de residuos eléctricos (Directiva sobre la Eliminación de Equipos Eléctricos y Electrónicos).

### **Marca CE**

Por la presente, Lenco Benelux B.V., Thermiekstraat 1a, 6361 HB Nuth, Países Bajos, declara que este producto cumple con las exigencias esenciales de la directiva de la UE. La declaración de conformidad puede consultarse mediante [techdoc@commaxxgroup.com](mailto:techdoc@commaxxgroup.com)



### **Service (Servicio)**

Para obtener más información y soporte del departamento técnico, por favor, visite la página web [www.lenco.com](http://www.lenco.com)

Lenco Benelux BV, Thermiekstraat 1a, 6361 HB, Países Bajos.