



# TD510ZMK2

MANUAL No. 090003-3229B700

ENGLISH

## OWNER'S MANUAL

- Thank you for purchasing this product.
- Please read this owner's manual before assembling and using the product.
- An accident or injury can result if the product is incorrectly assembled or unspecified parts are used.
- Keep this Owner's Manual together with the Warranty Certificate in a safe place for future reference.

### Contents

#### Before installation

Parts list	10
Safety guidelines	11
Checklist before use	11

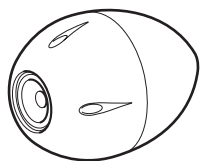
#### Installation

Adjusting the spikes	12
Installing the speaker	12
Connecting the speaker cable	13
Adjusting the speaker angle	13
Installing the plugs and speaker grille	14
Care / Specifications	15
Warranty and customer service	16

# Parts list

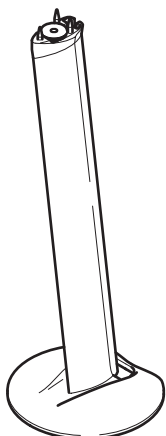
Check that all of the following items are present

ENGLISH



1 Speaker

x1



2 Stand

x1



3 Grille

x1



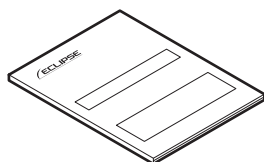
4 Plug

x5



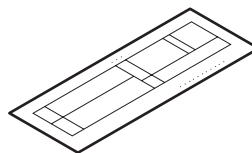
5 Spanner

x1



6 Owner's Manual

x1



7 Warranty

x1

# Safety guidelines

The following WARNING and CAUTION signs are used throughout this owner's manual as well as on the product. These signs alert the installer and users of important safety information to avoid risk of injury and damages to the product. Make sure that you understand these signs thoroughly before reading this manual.



## Warning

The instructions which follow this sign indicate situations where failure to follow the instructions may result in death or severe injury.



## Caution

The instructions which follow this sign indicate situations where failure to follow the instructions could cause injury when using the product or physical damage to equipment and surroundings.



## Tip

This section contains information that can help to prevent problems and damage to the unit, and also contain other useful information.



## Warning

- Do not install this product in high places. It may fall down and cause injury.
- Do not disassemble this product.
- Do not use this product in very humid places. Fire or electric shocks may result.



## Caution

- Do not use the stand to support any other item.
- Assemble the stand on a level surface. Placing the stand on an uneven surface can lead to overturning and result in an injury.
- Do not place the stand where people regularly move past it. Bumping into the stand can cause an injury.
- Place the stand on a solid and level floor. Installing the stand in a location that is unstable can cause it to fall and result in an injury.
- Do not drop or drag this unit while assembling or carrying it. Pushing over or dragging the stand can result in an injury or cause damage to the floor.
- Do not climb onto or hang from the stand. Be especially careful about children trying to do this. It may fall over or break and cause injury.
- The stand is heavy, so take care when unpacking or moving it. Improper lifting can cause a back injury and dropping the stand can injure feet.

## Checklist before use

- Be sure to set the volume to the minimum level before turning on the power supply for connected equipment and before switching the input source. Sudden high levels of output can cause damage to the connected speaker system.
- Even pleasant music can be a disturbance at times. To avoid disturbance in your neighborhood, enjoy your unit at an appropriate volume. Remember that at night, even low volume carries into surrounding areas. Help to maintain a pleasant living environment.
- Always be sure to turn off the power supply for the connected equipment before connecting the speaker system.
- Do not separate the speaker from the stand.
- Do not place the speaker unit directly on hard surfaces. It may mark the surface.
- Be careful not to tip over the stand.
- Clean the unit by wiping it gently with a soft cloth moistened in neutral detergent. Do not use liquid solvents such as alcohol or thinner to clean this product.

# Installation

## – Adjusting the spikes –

- 1 Determine the location for setting up the speaker stand.

### ⚠ Caution

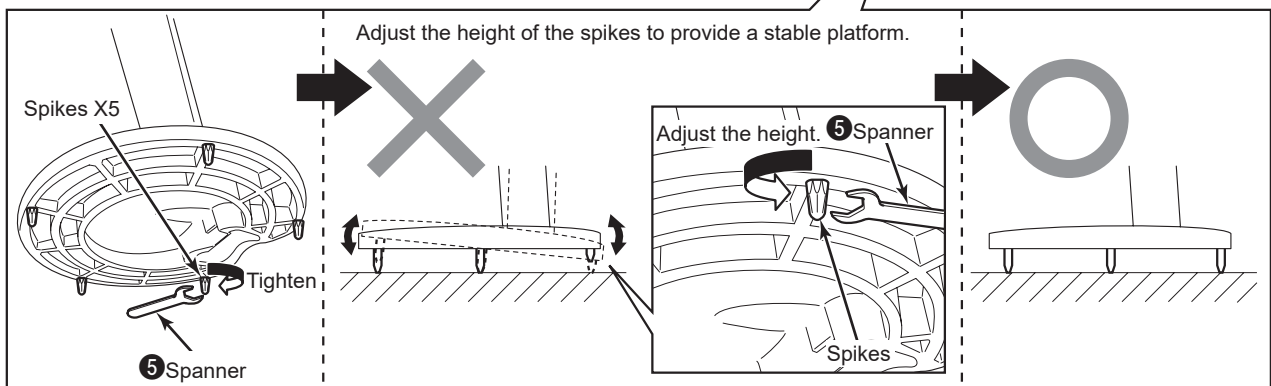
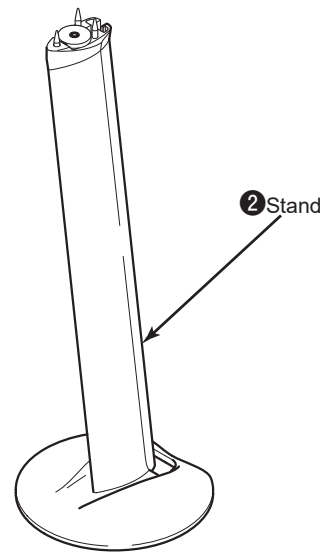
Assemble this product on a flat, level surface. If you assemble it on a sloping surface, the stand may fall over.

- 2 Securely tighten the spikes on the base of the stand before placing the stand on the floor.

- 3 Ensure the stand is stable to obtain the best performance.

### ⚠ Caution

If the stand is not adjusted correctly, it could fall damaging the floor.



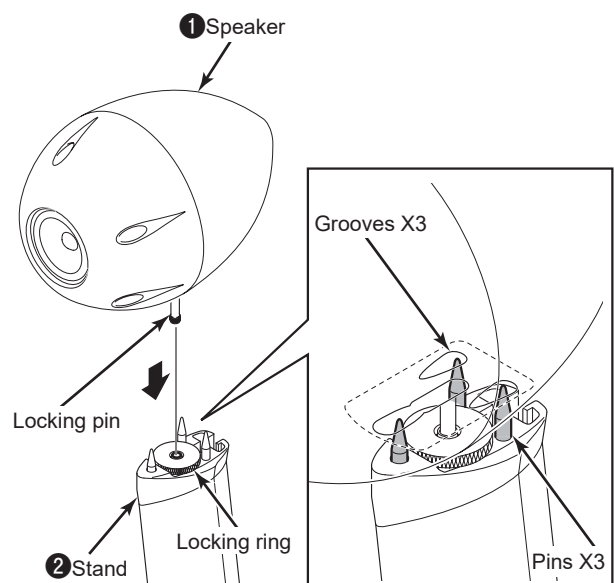
## – Installing the speaker –

- 1 Insert the locking pin of the speaker into the locking ring in the stand.

- 2 Set the speaker onto the stand so that the three pins are aligned with the grooves in the speaker.

### ⚠ Caution

- The speaker is heavy, and should be held with both hands during installation.
- Do not touch the cone while attaching the speaker to the stand to ensure the driver is not damaged.
- Be careful not to damage the base of the speaker when fitting the speaker onto the stand.



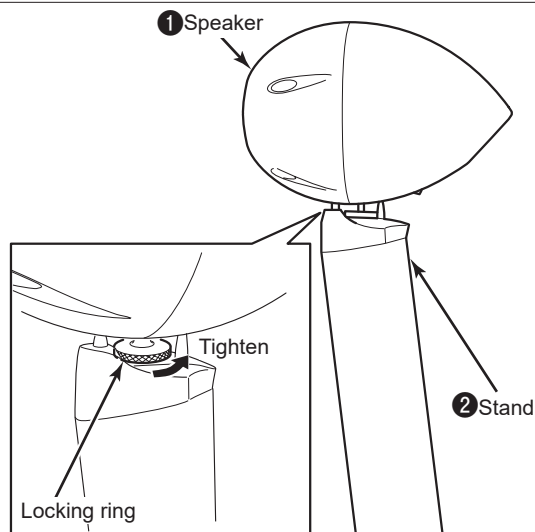
- 3 Tighten the locking ring to secure the speaker to the stand.

**Caution**

Securely tighten the locking ring.

**Tip**

Before the locking ring is tightened, the angle of the speaker can be adjusted. For details, refer to "Adjusting the speaker angle" below.



– Connecting the speaker cable –

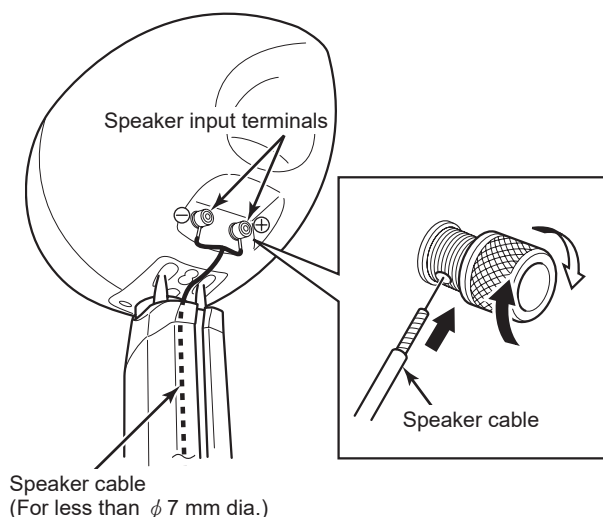
- 1 Insert the bare ends of the speaker cable into the holes in the speaker input terminals and secure them in place.

**Caution**

When connecting the speaker wires, insert the bare ends of the speaker wires correctly so that they do not touch neighboring terminals, otherwise it may cause short-circuits.

**Tip**

When connecting the speaker cable, if the speaker cable is routed through the groove in the stand, it will improve the outer appearance. (For less than  $\phi$  7 mm dia.)



– Adjusting the speaker angle –

- 1 Loosen the locking ring and adjust the speaker to the desired angle.

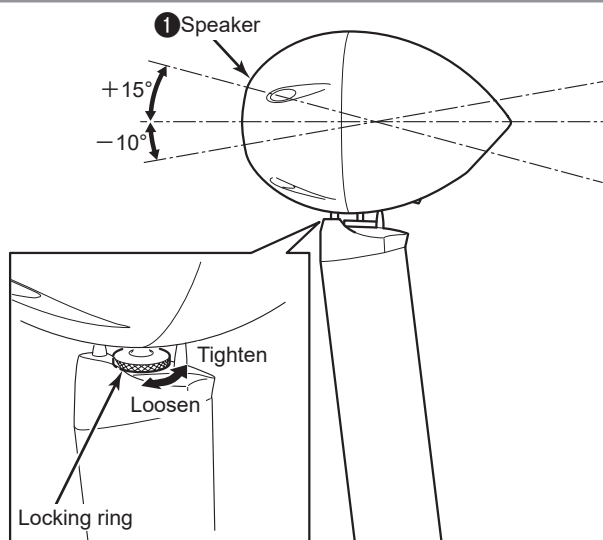
**Caution**

Be careful not to let the speaker stand fall over while adjusting the angle.

**Tip**

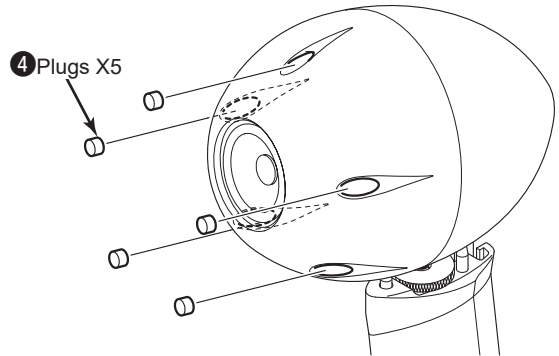
The angle of the speaker can be adjusted within the range of +15° to -10°.

- 2 Tighten the locking ring to secure the speaker.



– Installing the plugs and speaker grille –

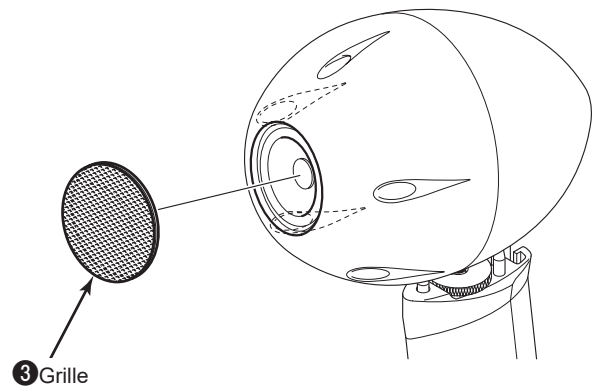
**1** Install the plugs as indicated.



**2** Install the grille.

**Tip**

- The grille may be attached when the speaker is not in use or at the users discretion.
- Clip the edge of the grille to secure it.



# Care / Specifications

## Maintenance

Before cleaning, be sure to turn off the power supply for all connected equipment and disconnect the power cords from the electrical outlets. Remove any dirt from the unit by lightly wiping with a soft dry cloth.

If required moisten the cloth to remove surface dirt, then dry with a soft cloth.

Do not use gasoline or thinners, etc. on this unit as it may damage the cabinet.



## Problems during Operation of the Unit

During operation, the unit may stop working properly if it suffers from significant external disruption (impact shock, static electricity, voltage fluctuation caused by lightning, etc.) or is operated incorrectly.

If you encounter this situation, turn the amplifier power to switch to the "Off" position.

Turn it back on again and check if normal operation has resumed. (If a problem persists, please contact our Service Centre)

## Notice for WEEE directive

In accordance with the European Directive 2002/96/EC (for Waste Electrical and Electronic Equipment=WEEE), this product, which is labeled with crossed-out wheeled bin, may not be disposed of with household waste in member states of the EU.

WEEE : Waste Electrical and Electronic Equipment

When disposing of this product in an EU member state, dispose properly in accordance with the laws of that state, for example by returning it to the distributor.

WEEE has the potential effects on the environment and human health as a result of the presence of hazardous substances.

You can contribute to eliminate these effects and to enhance reuse/recycle/ other forms of recovery by your cooperation.



## Specifications

Specifications and appearance are subject to change without prior notification.

Driver diameter	φ 10cm
Degaussing	Degaussing design (JEITA)
Input resistance	Rated 25 W / Maximum 50 W
Impedance	6Ω
Outer dimensions	W384×D393×H978 (mm)
Weight	Approximately 19.5kg

### •Speaker

Outer dimensions	W255×D381×H255 (mm) ※ The height (H) does not include the guide bolt.
Weight	Approximately 8.5kg

### •Stand

Outer dimensions	W384×D367×H738 (mm)
Weight	Approximately 11kg

# Warranty and customer service

## Customer service for enquiries related to usage, care, and repair of the product

**For UK: DENSO TEN EUROPE GmbH, UK Office**

**For other countries: Please contact the retailer/distributor of your country.**

Tel : +44 (0)20 7328 4499  
Fax : +44 (0)20 7624 6384  
mailto : info@eclipse-td.co.uk

## Warranty

Warranty period: One year (two years for EU Countries) from the date of purchase. Even during the warranty period, you may be charged for services. Please be consulted about the details.

## Repairs during the warranty period


The product will be repaired in accordance with the warranty provisions.

## Minimum retention period of performance parts for repair

Performance parts for repair are parts required to maintain the performance of the product. The minimum retention period of performance parts for repair for this product is eight years from the end of production.

## Repairs after the warranty period elapses

If the product can be made usable through repairs, it will be repaired for a fee at your request.

Check your audio equipment for a long service life!	
<b>Safety check</b> 	<p>Have you noticed any of these symptoms?</p> <ul style="list-style-type: none"><li>● The power cable or plug is unusually hot.</li><li>● There is a burning smell.</li><li>● There is a deep cut in the power cable or it has deformed.</li><li>● Other problems or a malfunction.</li></ul>



## Stop using the product

To prevent the product from malfunctioning or causing an accident, turn the POWER switch off, unplug the power plug from the power outlet, and request an inspection of the product. For the likely charge to inspect and repair the product, contact as above.