



TVS 3690/3695 TV Floor Stand

Full Installation Guide

Everything you need to get your TV safely on the floor stand, in no time

Before you start

...we just wanted to say thanks for choosing Vogel's. Smart choice.

And you're already making another smart choice - reading the manual! Keep reading to learn all about safe, efficient installation, and how to use your new floor stand.

Stay safe



Warning

Always read these safety instructions carefully before installing and using this product.

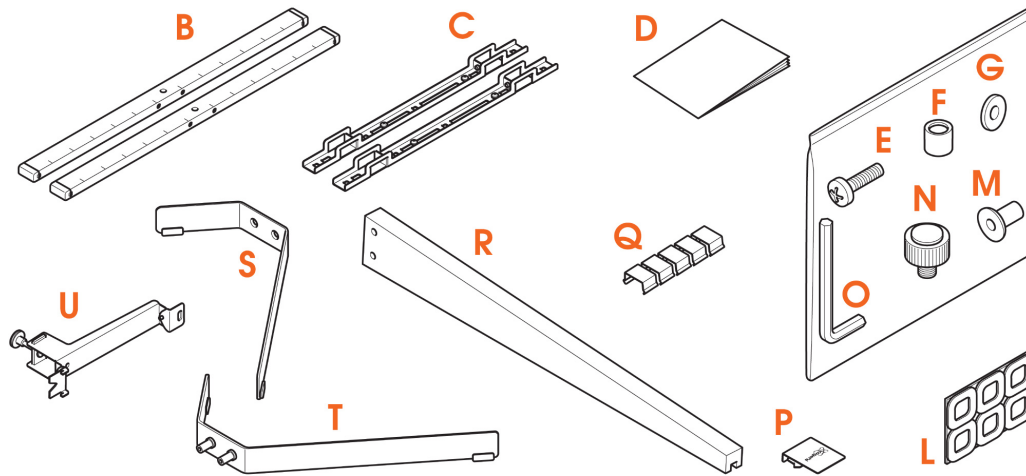
Following these instructions is strictly required. Incorrect mounting and/or installation could put you, your TV, and your family at substantial risk.

Don't dare risk it... Read all

- Vogel's recommends that the mounting and/or installation of this product should be carried out by a suitably qualified expert.
- Vogel's cannot be held responsible for any injury and/or damage caused by incorrect installation.
- Please consult the manual for your TV and ensure that the weight and size of the TV is within the maximum weight and size limits specified for this product, and that the TV mounting bolts used are of a suitable length and diameter. Note that not all the TV mounting accessories provided are required for the installation of any one TV.
- Clean the product with a dry, lint-free cloth. Do not use detergents or other solvents to clean the product.
- Only qualified, certified personnel may repair the product. Use only original spare parts. The use of other parts will result in voiding the warranty, and could lead to injuries.
- Alterations to the product and technical modifications are not permitted. This will void the warranty, and could lead to injuries.
- Always store the product in a dry and safe place with a temperature between -10°C to +50°C.
- Handle and transport the product with care.
- Repack the product when transporting or not using it for a longer period of time.
- Lifting your TV is a two-person job. Don't be bold!



What's in the box?



- Something missing? Make sure your packaging has everything in place:

B. Interface bars

C. Interface strips

D. Safety instructions

E. Bolts for fastening strips on TV (see contents of the TV fasteners kit)

F. Spacers

G. Washers 18mm

L. Protective TV patches

M. Bolts for attaching feet to stand (see contents below)

N. Thumbnuts

O. Allen key

P. Cover plate (TVS 3695)

Q. Cable clips (TVS 3695)

R. Wooden/steel stand

S. Foot (left)

T. Foot (right; with pre-attached bolts)

U. Steel bracket

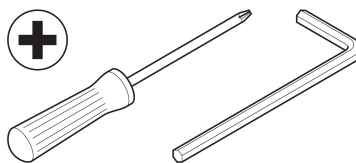
- Contents of the TV fasteners kit:
 - 4x M6*12mm bolts
 - 4x M6*25mm bolts
 - 4x M6*35mm bolts
 - 4x M8*12mm bolts
 - 4x M8*25mm bolts
 - 4x M8*45mm bolts
 - 4x M6 washer
 - 4x spacer 10mm
 - 4x spacer 5mm

- Contents of the floor stand fasteners kit:
 - 2x M8*20mm bolts
 - 2x M6*10mm thumbnuts
 - Allen key



You don't need all fasteners to mount your TV. Store the rest for later or other use!

Got your tools ready?



- Don't start without all the necessary tools:
 - Crosshead screwdriver
 - M4 (4mm) Allen key

Take care of your safety



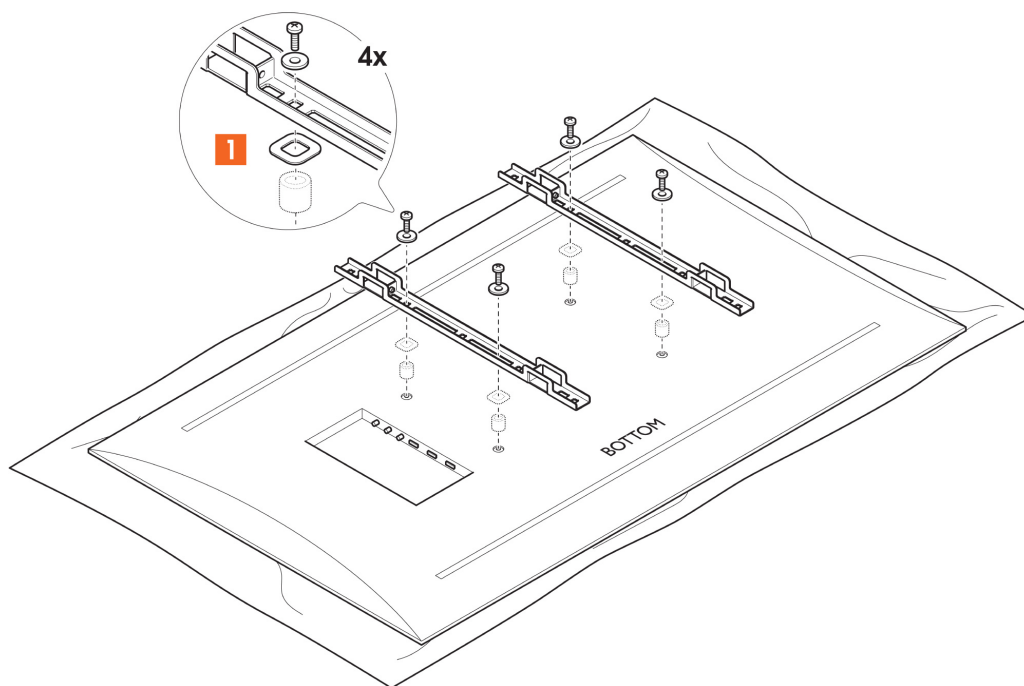
- Who cares about looking cool? Always wear personal protective equipment:
 - Eye protection
 - Ear protection
 - Safety shoes

Ready... set... get installing!

Step 1: Attach the strips to the TV

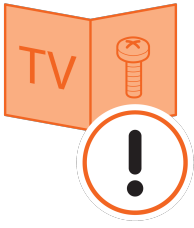
For this step you will need:

- A crosshead screwdriver
- 4x **Bolts** (Not sure which size you need for your TV? Then please consult our website for help.)
Ⓔ
- 2x **M6*10mm thumbnuts** Ⓖ
- 4x **Washers** Ⓖ
- 4x **Protective TV patches** Ⓖ
- 4x **Spacers** (optional; depending on your type of TV, use either the 5mm or 10mm spacers) Ⓕ
- 2x **Interface bars** Ⓑ
- 2x **Interface strips** Ⓒ
- 1x **Allen key** Ⓒ
- 1x **Steel Bracket** Ⓖ



Carefully place the TV face down, on a clean surface without any obstacles!

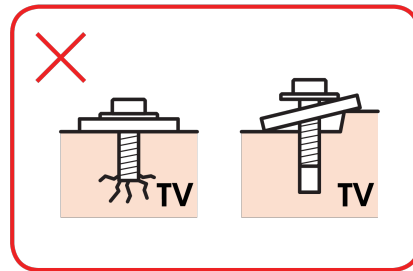
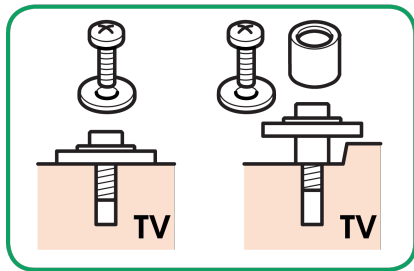
1. Fix the **protective TV patches** Ⓖ onto the **interface strips** Ⓒ. Screw the **interface strips** Ⓒ onto the TV with the **bolts** Ⓔ. Make sure the **interface strips** Ⓒ are at the same height and do not stick out.



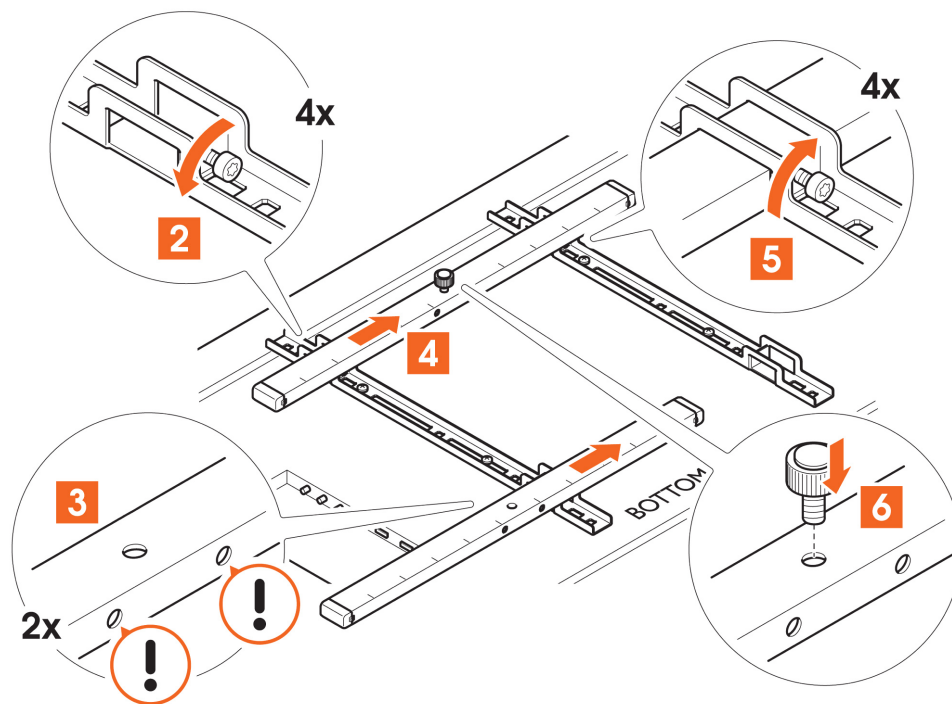
Are you missing any bolts? Or need different ones? The friendly team at Vogel's Consumer Care are waiting to help: vogels.com/contact



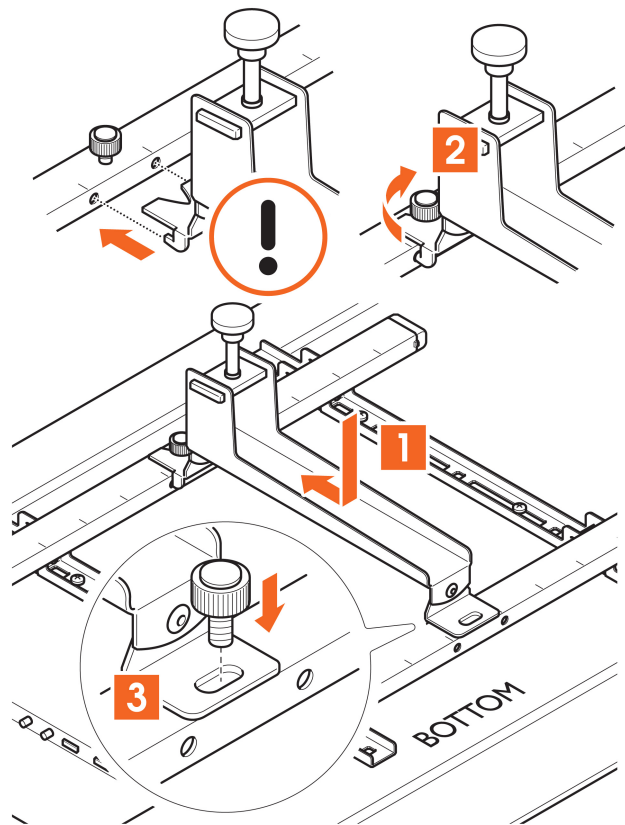
Make sure bolts and spacers are positioned correctly.



Refer to the user manual of your TV for the correct mounting material.



2. Loosen the pre-attached bolts © with the **allen key** ©.
3. Slide the lower **interface bar** Ⓑ through the designated spacing of the **interface strip** ©. Make sure the **interface bar** Ⓑ is placed in a centered position. Notice the holes on the side of this **interface bar** Ⓑ. They need to face downwards.
4. Slide the upper **interface bar** Ⓑ through the designated spacing of the **interface strip** ©. Make sure this **interface bar** Ⓑ is also placed in a centered position.
5. Attach the **interface bars** Ⓑ to the strips by tightening the pre-attached bolts © with the **allen key** ©.
6. Screw the **thumbnut** Ⓝ into the upper bar. Make sure you don't screw it in completely, yet.

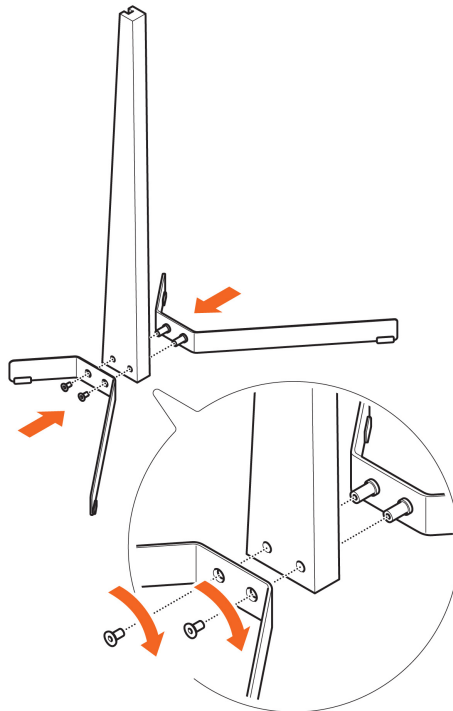


7. Slide the v-cut part of the **steel bracket** (U) onto the upper **thumbnut** (N). Make sure the clutches of the steel bracket (U) slide into the holes of the upper interface bar!
8. Fasten the upper **thumbnut** (N) until the **steel bracket** (U) is secured.
9. Fasten the lower **thumbnut** (N) until the **steel bracket** (U) is secured.

Step 2: Install the floor stand

For this step you will need:

- 1x **Wooden/steel stand** ®
- 1x **Left foot** Ⓢ
- 1x **Right foot** (with pre-attached bolts) Ⓣ
- 2x **M8*20mm bolts** Ⓜ
- 1x **Cover plate** Ⓟ
- 1x **Allen key** Ⓞ

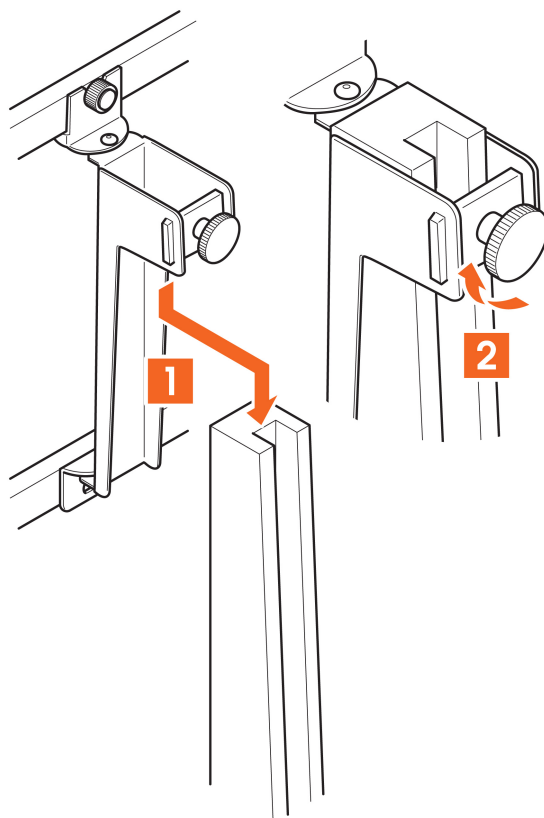


1. Slide the **right foot** (with pre-attached bolts) Ⓣ into the **wooden/steel stand** ®. Make sure the longer leg is at the front of the **wooden/steel stand** ®. The back of the **wooden/steel stand** ® includes a hidden notch for cable management.
2. Use the **allen key** Ⓞ to attach the **left foot** Ⓢ (without pre-attached bolts) to the **wooden/steel stand** ® by screwing the two **M8*20mm bolts** Ⓜ into the pre-attached screws of the **right foot** Ⓣ.

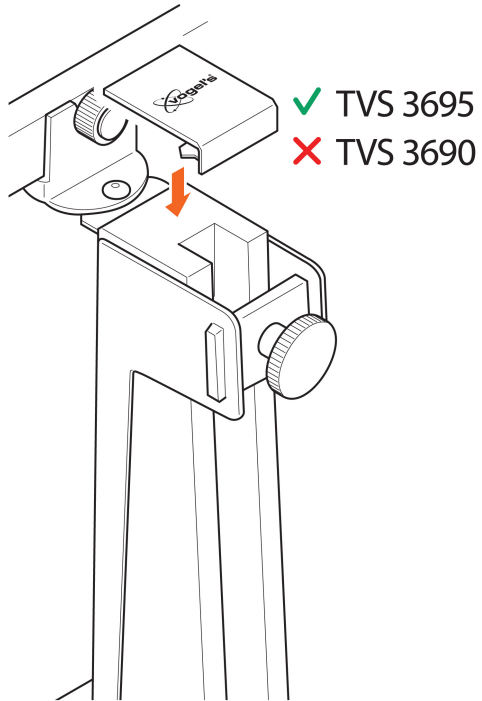
Step 3: Attach the TV to the floor stand



Lifting your TV is a two-person job. Don't be bold!



1. Slide the **steel bracket** ① over the top of the **wooden/steel stand** ②. Use the knob (see illustration) to fasten the **steel bracket** ① to the top of the **wooden/steel stand** ②.



2. Apply the click-on stainless-steel **cover plate** **Ⓟ** on top of the **steel bracket** **Ⓢ**. (TVS 3695)

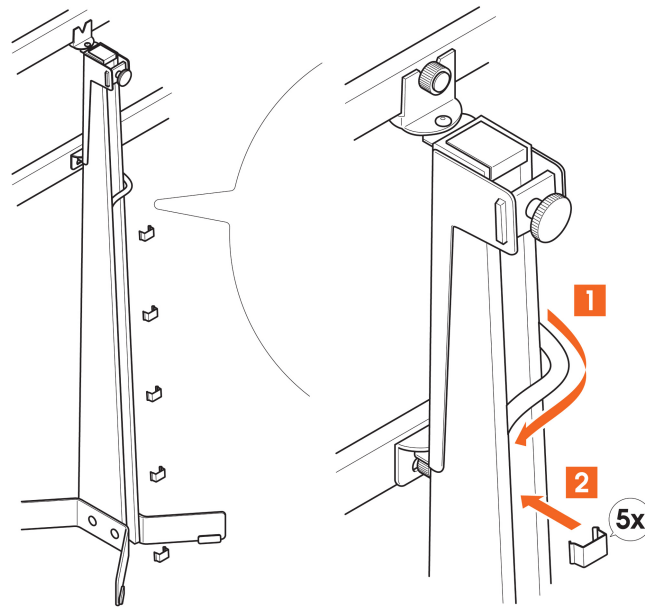
Handy features

Cable management

TVS 3695

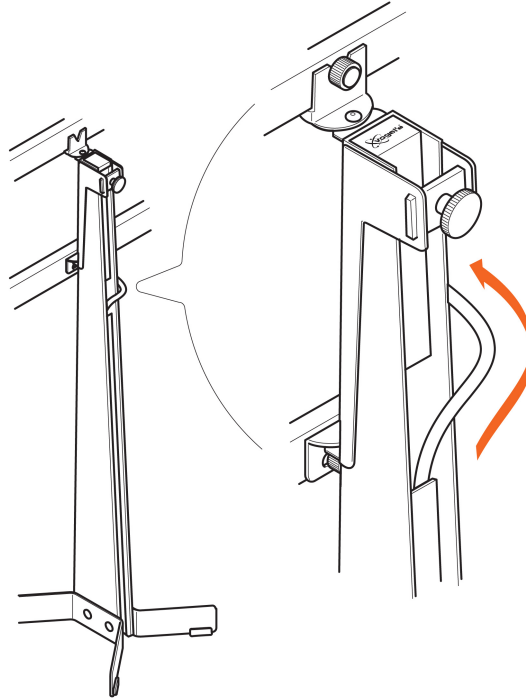
For this step you will need:

- 5x **Cable clips** © (TVS 3695)



1. Carefully guide the cables through the notch on the back of the **wooden stand** ®.
2. Apply the **cable clips** © over the cables by clicking them into the notch ®, beginning at the top and working your way down.

TVS 3690



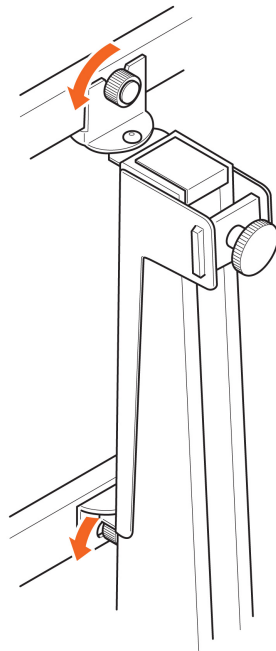
1. Carefully guide the cables through the back of the **wooden/steel stand** ®.



Having a cable mess? Do you need inspiration about how to hide and guide your cables or how to place other TV accessories? Take a look at our website vogels.com!

Job done now! Enjoy watching your TV!

Removing your TV



1. Partially unscrew the **thumbnuts** [®] by turning them counterclockwise.
2. Remove the TV, and put it down somewhere safe.



Again, lifting your TV is a two-person job. Always get help.

Tell us how you feel!





Your opinion matters more than you might think. It helps us make better products, and helps other customers make informed choices.

Share your feedback, and sign up to win Vogel's products!

Simply visit vogels.com/review for sharing or the Terms and Conditions.

Confused? Unsure? Going crazy?

There's plenty of help waiting for you, online:

	info@vogels.com www.vogels.com/contact
	facebook.com/ VogelsForSure/
	instagram.com/ vogels_official/
	www.youtube.com/ c/VogelsForSure

Simple troubleshooting

Found a problem you can't fix? Don't panic... try these!

Problem	Cause	Solution
'I don't have the right bolts for my TV!'	The world of TV technology is always changing - it can be hard to keep up sometimes. So, it might be the case that the correct bolt size is not included... you're just too advanced!	Just ask Vogel's Consumer Care to request a service kit, and we'll send everything you need. Click here to contact Vogel's Consumer Care.
'I have a lot of leftover bolts, is something wrong?'	No, you did it very well! You only need 4 bolts to install the mount to your TV. Because of all the different types of TVs, we have included the most common sizes for the most sold TVs.	Don't waste the other bolts, save them! You can use them for another TV when you buy a new one or use it elsewhere.

FAQs

<p>'Where can I request the correct bolts for my TV (a service kit)?'</p>	<p>Whatever you need, simply contact your local Vogel's dealer or Vogel's. Click here to contact Vogel's Consumer Care.</p>
<p>'Where can I find installation videos?'</p>	<p>The installation video can be found at the product page of your product on our website. It can also be found on our YouTube channel: www.youtube.com/c/VogelsForSure</p>
<p>'What if I need spare parts?'</p>	<p>If you require a spare part, please contact your local dealer or Vogel's. Click here to contact Vogel's Consumer Care.</p>
<p>'Which bolts or screws do I need to use?'</p>	<p>Vogel's offers a complete assembly kit with all mounting materials included in the box, for both your TV and wall. Vogel's offers a complete assembly kit with all mounting materials included in the box. Do you miss the correct bolts for your TV? Please contact your local Vogel's dealer. Click here to contact Vogel's Consumer Care.</p>
<p>'What is VESA?'</p>	<p>VESA is a standard pattern of mounting location holes on the back of a TV which allows many standard TV mounts to be easily fitted to your TV.</p>

Go green!

We care about the planet. If you're getting rid of the packaging or the TV mount itself, please visit your local recycling facility, or contact your municipal office. Recycling matters!



Guarantee



Thanks again for choosing Vogel's! Just like every product we make, your new purchase is made of durable materials and is based on a meticulous design. That is why Vogel's gives you a 10-year guarantee for defects in materials and manufacturing.

1. Vogel's guarantees that if during the guarantee period of a product, faults arise due to defects in manufacturing and/or materials, it will, at its discretion, repair or if necessary replace the product, free of charge. A guarantee for normal wear and tear is hereby expressly excluded.
2. If the guarantee is invoked, the product should be sent to Vogel's, together with the original purchase document (invoice, sales slip or cash receipt). The purchase document should clearly show the name of the supplier and the date of purchase.
3. Vogel's guarantee shall lapse in the following cases:
 - If the product has not been drilled, installed and used in accordance with the Instructions for Use;
 - If the product has been altered or repaired by someone other than Vogel's;
 - If a fault arises due to external causes (outside the product) such as for example lightning, water nuisance, fire, scuffing, exposure to extreme temperatures, weather conditions, solvents or acids, wrong use or negligence;
 - If the product is used for different equipment than is mentioned on or in the packing.

Vogel's Products BV - Hondsruglaan 93 - 5628 DB Eindhoven - The Netherlands

Vogel's Products BV 2021 © All rights reserved.